



COMMERCIAL AREA

CATALOG

MEDICAL • EMERGENCY • GRAB BAR • ANTI VANDAL
SENSORS • FLUSH VALVES • SOAP DISPENSERS

Indicators



Mixer



Coldtap



Cartridge



Screw
Fittings



Shower
Head



Aerator



Spout



Basin
Screw



Flexible
Hose



Shower
Holder



Hand
Shower



Kitchen
Spray



Flange



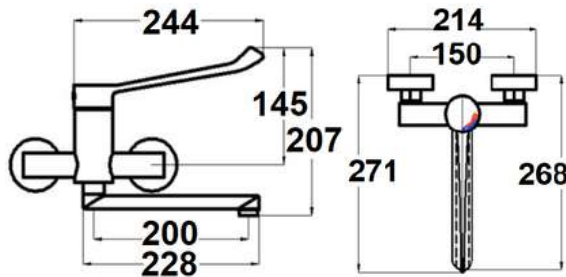
New
Product

Content

Series Name	Pages
MEDICAL	1-6
THERMOSTATIC	7
EMERGENCY	8
GRAB BAR	9-12
ANTI VANDAL	13-15
SENSOR	16-18
HAND DRYER	19
SELF CLOSING	20-21
URINAL FLUSH VALVE	22-25
WC FLUSH VALVE	26-29
SOAP DISPENSER	29-30

MEDICAL SERIES

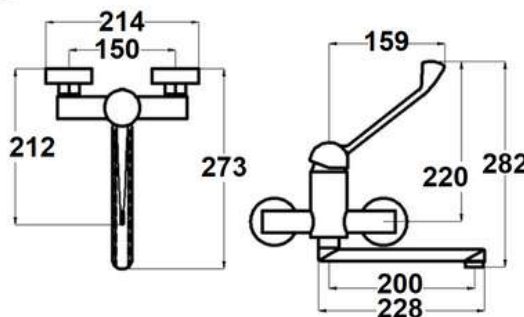
POLISHED CHROME FINISHING



CH56000T04



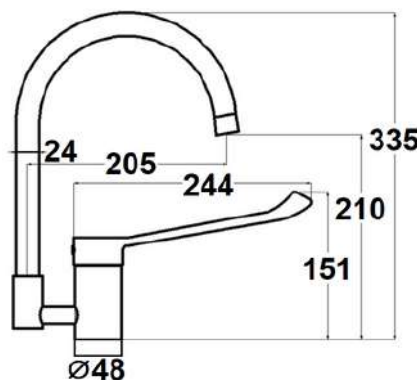
Products Name : Pressure Balanced Sink Mixer
With Elongated Handle
Material : Brass
Aerator Type : Bubble
Cartridge Type : Ceramic with Brass Cartridge
Installation Type : Wall Mounted
Functions : Single Direction Cartridge From Cold to Hot
Functions : Adjustable Hot Water Limiter
Hot Water Safety Stop : Hot Water Will Stop When Cold
Water Is Off
Pressure Balance : Water Temperature Is Not Affected
By The Water Pressure Variation
Application Place : Suitable for Hospital and Etc
Water Saving Function : Available / Optional
Water Connector Thread : 1/2 inch
Minimum Water Pressure (Bar) : 1
Maximum Water Pressure (Bar) : 6



CG56000T04



Products Name : Pressure Balanced Sink Mixer
With Elongated Handle
Material : Brass
Aerator Type : Bubble
Cartridge Type : Ceramic with Brass Cartridge
Installation Type : Wall Mounted
Functions : Single Direction Cartridge From Cold to Hot
Functions : Adjustable Hot Water Limiter
Hot Water Safety Stop : Hot Water Will Stop When Cold
Water Is Off
Pressure Balance : Water Temperature Is Not Affected
By The Water Pressure Variation
Application Place : Suitable for Hospital and Etc
Water Saving Function : Available / Optional
Water Connector Thread : 1/2 inch
Minimum Water Pressure (Bar) : 1
Maximum Water Pressure (Bar) : 6



CH56064M

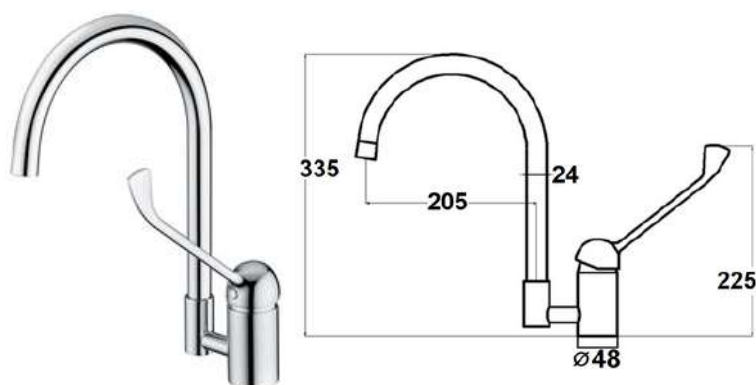


Products Name : Pressure Balanced Sink Mixer
With Elongated Handle
Material : Brass
Aerator Type : Bubble
Cartridge Type : Ceramic with Brass Cartridge
Installation Type : Pillar Mounted
Functions : Single Direction Cartridge From Cold to Hot
Functions : Adjustable Hot Water Limiter
Hot Water Safety Stop : Hot Water Will Stop When Cold
Water Is Off
Pressure Balance : Water Temperature Is Not Affected
By The Water Pressure Variation
Application Place : Suitable for Hospital and Etc
Water Saving Function : Available / Optional
Water Connector Thread : 1/2 inch
Minimum Water Pressure (Bar) : 1
Maximum Water Pressure (Bar) : 6



MEDICAL SERIES

POLISHED CHROME FINISHING



CG56064M



Products Name : Pressure Balanced Sink Mixer
With Elongated Handle

Material : Brass

Aerator Type : Bubble

Cartridge Type : Ceramic with Brass Cartridge

Installation Type : Pillar Mounted

Functions : Single Direction Cartridge From Cold to Hot

Functions : Adjustable Hot Water Limiter

Hot Water Safety Stop : Hot Water Will Stop When Cold Water Is Off

Pressure Balance : Water Temperature Is Not Affected By The Water Pressure Variation

Application Place : Suitable for Hospital and Etc

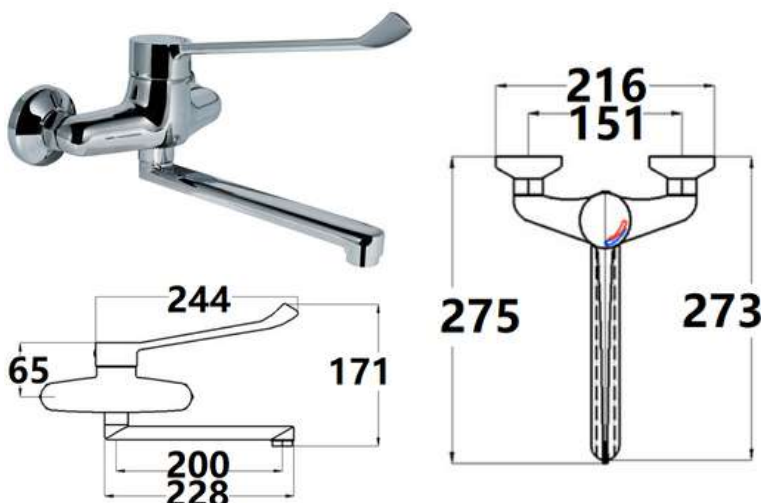
Water Saving Function : Available / Optional

Water Connector Thread : 1/2 inch

Minimum Water Pressure (Bar) : 1

Maximum Water Pressure (Bar) : 6

FG-CAT08 FG-AE24 FG-FP450M FG-SF01



CH53000T04



Products Name : Basin Mixer With Elongated Handle

Material : Brass

Finishing : Polished Chromed

Aerator Type : Bubble

Cartridge Type : Ceramic with Brass Cartridge

Installation Type : Wall Mounted

Functions : Single Direction Cartridge From Cold to Hot

Functions : Adjustable Hot Water Limiter

Application Place : Suitable for Hospital and Etc

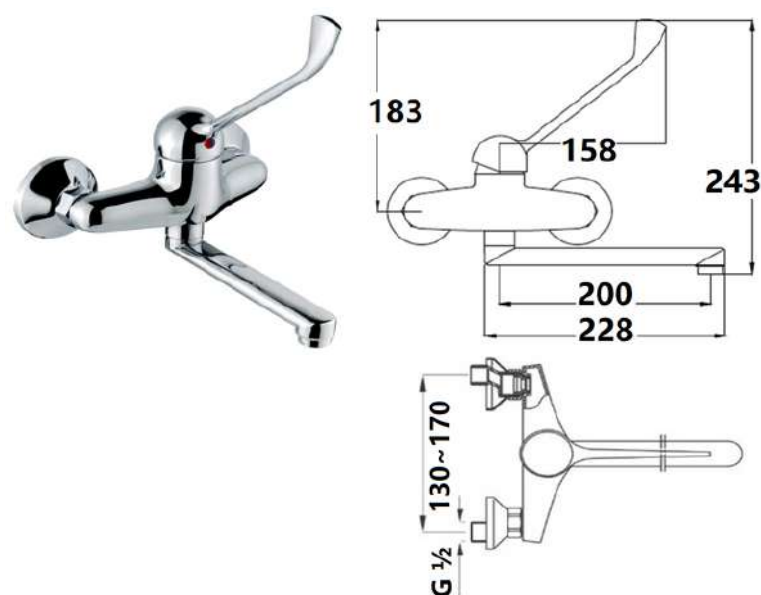
Water Saving Function : Available / Optional

Water Connector Thread : 1/2 inch

Minimum Water Pressure (Bar) : 1

Maximum Water Pressure (Bar) : 6

FG-CAT08 FG-M52002 FG-AE24



CG53000T04



Products Name : Basin Mixer With Elongated Handle

Material : Brass

Finishing : Polished Chromed

Aerator Type : Bubble

Cartridge Type : Ceramic with Brass Cartridge

Installation Type : Wall Mounted

Functions : Single Direction Cartridge From Cold to Hot

Functions : Adjustable Hot Water Limiter

Application Place : Suitable for Hospital and Etc

Water Saving Function : Available / Optional

Water Connector Thread : 1/2 inch

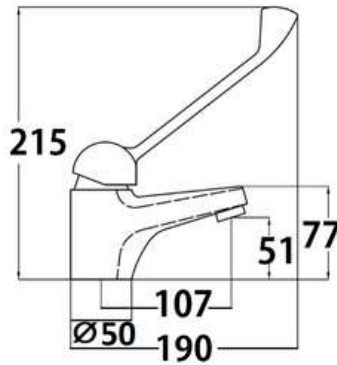
Minimum Water Pressure (Bar) : 1

Maximum Water Pressure (Bar) : 6

FG-CAT08 FG-M52002 FG-AE24

MEDICAL SERIES

POLISHED CHROME FINISHING

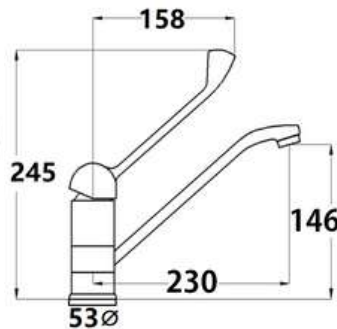


CG1141M CG1141C



Products Name : Basin Tap With Elongated Handle
 Material : Brass
 Aerator Type : Bubble
 Cartridge Type : Ceramic with Brass Cartridge
 Installation Type : Pillar Mounted
 Functions : Single Direction Cartridge From Cold to Hot
 Functions : Adjustable Hot Water Limiter
 Application Place : Suitable for Hospital and Etc
 Water Saving Function : Available / Optional
 Water Connector Thread : 1/2 inch
 Minimum Water Pressure (Bar) : 1
 Maximum Water Pressure (Bar) : 7

- | | | | | |
|-----------|----------|---------|-----------|------------|
| (CG1141M) | FG-CAT08 | FG-AE24 | FG-FP300M | FG-SF70-02 |
| (CG1141C) | FG-CAT08 | FG-AE24 | FG-BP05 | |



CG56001M CG56001C

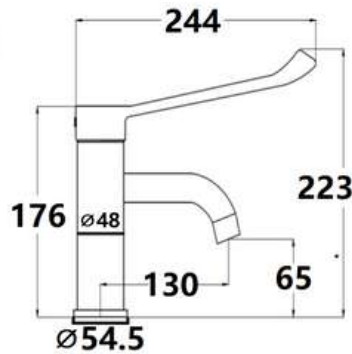


Products Name : Sink Tap With Swivel Spout
 and Elongated Handle
 Material : Brass
 Aerator Type : Bubble
 Cartridge Type : Ceramic with Brass Cartridge
 Installation Type : Pillar Mounted
 Application Place : Suitable for Hospital and Etc
 Water Saving Function : Available / Optional
 Water Connector Thread : 1/2 inch
 Minimum Water Pressure (Bar) : 1
 Maximum Water Pressure (Bar) : 6

- | | | | | |
|------------|----------|---------|-----------|------------|
| (CG56001M) | FG-CAT04 | FG-AE24 | FG-FP450M | FG-SF70-02 |
| (CG56001C) | FG-CAT04 | FG-AE24 | FG-BP05 | |

MEDICAL SERIES

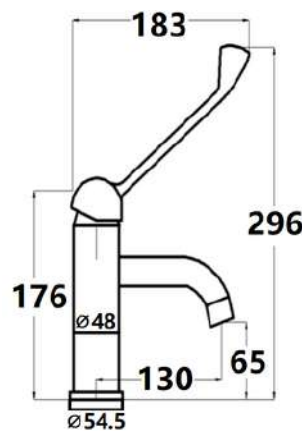
POLISHED CHROME FINISHING



CH16A64M



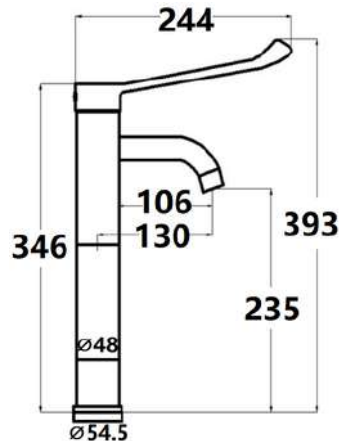
Products Name : Short Basin Mixer With Elongated Handle
 Material : Brass
 Aerator Type : Bubble
 Cartridge Type : Ceramic with Brass Cartridge
 Installation Type : Pillar Mounted
 Functions : Single Direction Cartridge From Cold to Hot
 Functions : Adjustable Hot Water Limiter
 Application Place : Suitable for Hospital and Etc
 Water Saving Function : Available / Optional
 Water Connector Thread : 1/2 inch
 Minimum Water Pressure (Bar) : 1
 Maximum Water Pressure (Bar) : 6



CG16A64M



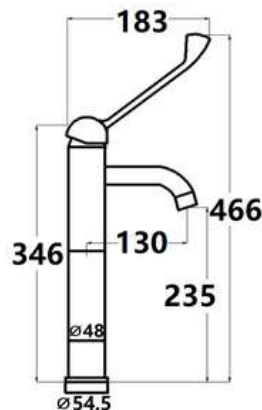
Products Name : Short Basin Mixer With Elongated Handle
 Material : Brass
 Aerator Type : Bubble
 Cartridge Type : Ceramic with Brass Cartridge
 Installation Type : Pillar Mounted
 Functions : Single Direction Cartridge From Cold to Hot
 Functions : Adjustable Hot Water Limiter
 Application Place : Suitable for Hospital and Etc
 Water Saving Function : Available / Optional
 Water Connector Thread : 1/2 inch
 Minimum Water Pressure (Bar) : 1
 Maximum Water Pressure (Bar) : 6



CH16064M



Products Name : Tall Basin Mixer With Elongated Handle
 Material : Brass
 Aerator Type : Bubble
 Cartridge Type : Ceramic with Brass Cartridge
 Installation Type : Pillar Mounted
 Functions : Single Direction Cartridge From Cold to Hot
 Functions : Adjustable Hot Water Limiter
 Application Place : Suitable for Hospital and Etc
 Water Saving Function : Available / Optional
 Water Connector Thread : 1/2 inch
 Minimum Water Pressure (Bar) : 1
 Maximum Water Pressure (Bar) : 6



CG16064M

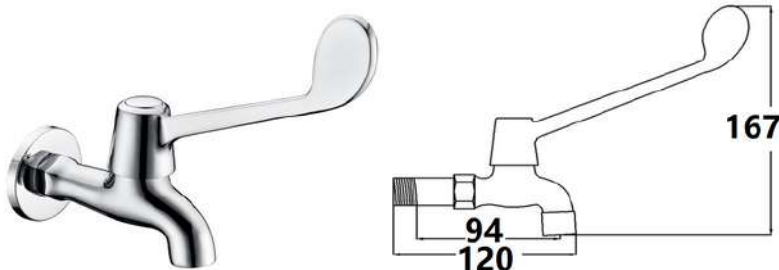


Products Name : Tall Basin Mixer With Elongated Handle
 Material : Brass
 Aerator Type : Bubble
 Cartridge Type : Ceramic with Brass Cartridge
 Installation Type : Pillar Mounted
 Functions : Single Direction Cartridge From Cold to Hot
 Functions : Adjustable Hot Water Limiter
 Application Place : Suitable for Hospital and Etc
 Water Saving Function : Available / Optional
 Water Connector Thread : 1/2 inch
 Minimum Water Pressure (Bar) : 1
 Maximum Water Pressure (Bar) : 6



MEDICAL SERIES

POLISHED CHROME FINISHING

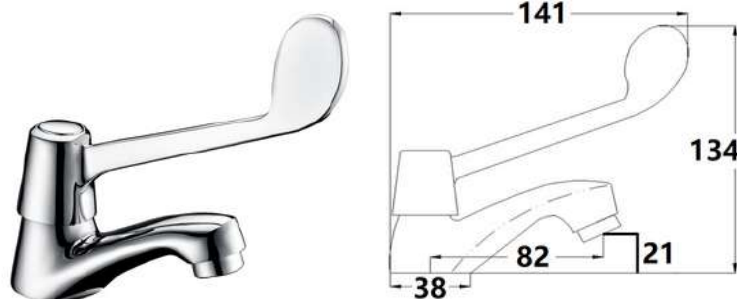


CG-1100F25



Products Name : Wall Bib Tap With Elongated Handle
 Material : Brass
 Aerator Type : Bubble
 Cartridge Type : Brass Cartridge
 Installation Type : Wall Mounted
 Functions : Cold Only
 Application Place : Suitable for Hospital and Etc
 Water Saving Function : Available / Optional
 Water Connector Thread : ½ inch
 Minimum Water Pressure (Bar) : 1
 Maximum Water Pressure (Bar) : 6

 FG-CAT03  FG-FLANGE02  FG-AE01  FG-AE18

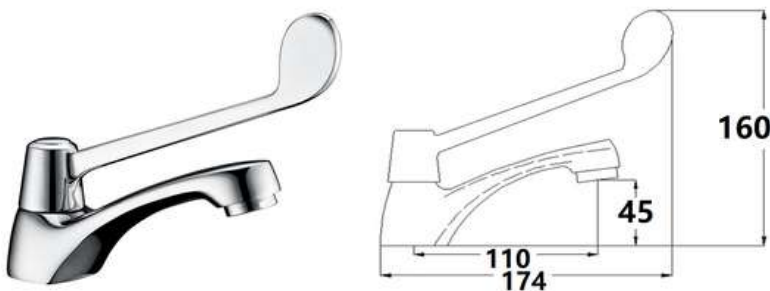


CG-1200F25



Products Name : Basin Coldtap Small Body
 With Elongated Handle
 Material : Brass
 Aerator Type : Bubble
 Cartridge Type : Brass Cartridge
 Installation Type : Pillar Mounted
 Application Place : Suitable for Hospital and Etc
 Water Saving Function : Available / Optional
 Water Connector Thread : ½ inch
 Minimum Water Pressure (Bar) : 1
 Maximum Water Pressure (Bar) : 7

 FG-CAT03  FG-AE20  FG-BP05



CG-1200F27

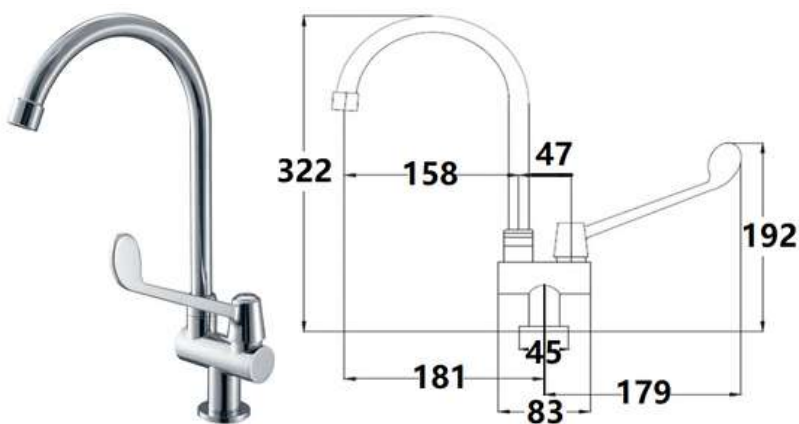


Products Name : Basin Coldtap Big Body
 With Elongated Handle
 Material : Brass
 Aerator Type : Bubble
 Cartridge Type : Brass Cartridge
 Installation Type : Pillar Mounted
 Application Place : Suitable for Hospital and Etc
 Water Saving Function : Available / Optional
 Water Connector Thread : ½ inch
 Minimum Water Pressure (Bar) : 1
 Maximum Water Pressure (Bar) : 7

 FG-CAT03  FG-AE24  FG-BP05

MEDICAL SERIES

POLISHED CHROME FINISHING



CG-52F27HS

Products Name : Sink Tap With Swivel Spout and Elongated Handle
 Material : Brass
 Aerator Type : Bubble
 Cartridge Type : Brass Cartridge
 Installation Type : Pillar Mounted
 Functions : Cold Only
 Application Place : Suitable for Hospital and Etc
 Water Saving Function : Available / Optional
 Water Connector Thread : ½ inch
 Minimum Water Pressure (Bar) : 1
 Maximum Water Pressure (Bar) : 6

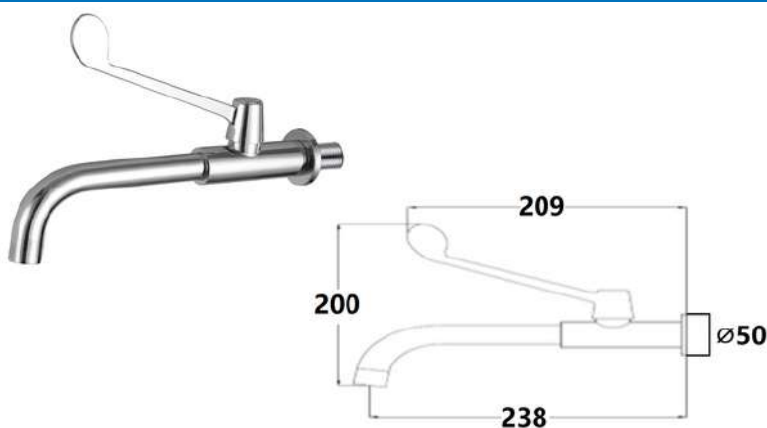
FG-CAT03 FG-AE24 FG-BP05



CG-51F27HS

Products Name : Sink Tap With Swivel Spout and Elongated Handle
 Material : Brass
 Aerator Type : Bubble
 Cartridge Type : Brass Cartridge
 Installation Type : Pillar Mounted
 Functions : Cold Only
 Application Place : Suitable for Hospital and Etc
 Water Saving Function : Available / Optional
 Water Connector Thread : ½ inch
 Minimum Water Pressure (Bar) : 1
 Maximum Water Pressure (Bar) : 6

FG-CAT03 FG-FLANGE02 FG-AE24



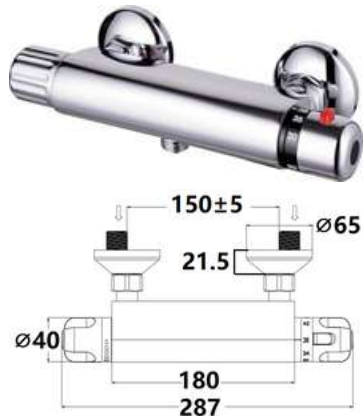
CG-11035F27

Products Name : Basin Coldtap With Elongated Handle
 Material : Brass
 Aerator Type : Bubble
 Cartridge Type : Brass Cartridge
 Installation Type : Wall Mounted
 Functions : Cold Only
 Application Place : Suitable for Hospital and Etc
 Water Saving Function : Available / Optional
 Water Connector Thread : ½ inch
 Minimum Water Pressure (Bar) : 1
 Maximum Water Pressure (Bar) : 7

FG-CAT03 FG-FLANGE02 FG-AE24

THERMOSTATIC SERIES

POLISHED CHROME FINISHING



TS-67002J1

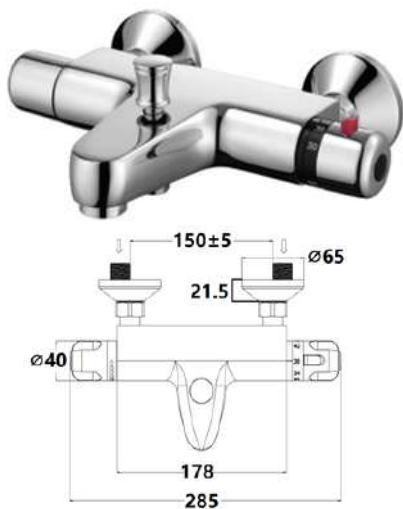


Products Name : Exposed Thermostatic Shower Mixer
 Functions : One Functions (hand shower)
 Functions : To maintain an exact water temperature for the duration of your shower

Material : Brass
 Installation Type : Wall Mounted
 Cartridge Type : Brass Cartridge
 Application Place : Bathroom, Outdoor and Etc
 Water Saving Function : Available / Optional
 Water Connector Thread : ½ inch
 Minimum Water Pressure (Bar) : 2
 Maximum Water Pressure (Bar) : 6



FG-M56002



TS-67000J1



Products Name : Exposed Thermostatic Bath Shower Mixer
 Functions : Two Functions (hand shower and spout)
 Functions : To maintain an exact water temperature for the duration of your shower

Material : Brass
 Installation Type : Wall Mounted
 Cartridge Type : Brass Cartridge
 Application Place : Bathroom, Outdoor and Etc
 Water Saving Function : Available / Optional
 Water Connector Thread : ½ inch
 Minimum Water Pressure (Bar) : 2
 Maximum Water Pressure (Bar) : 6



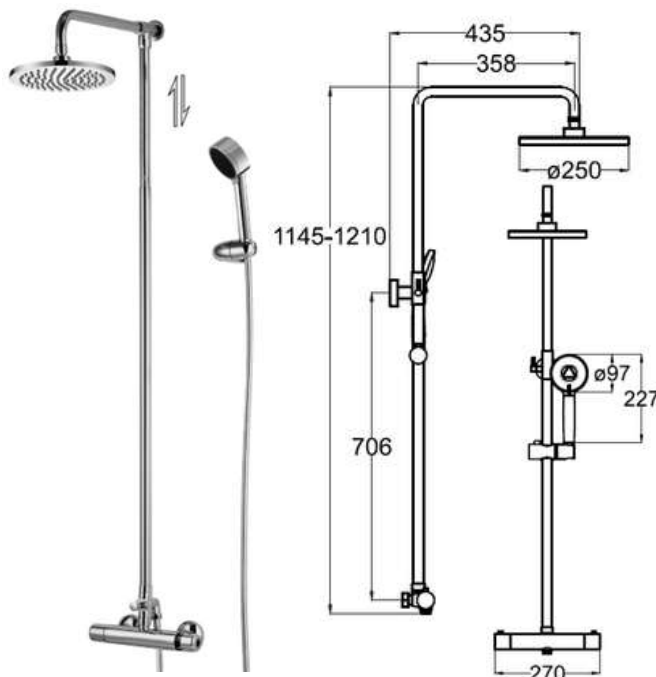
FG-DIV-03



FG-AE24



FG-M56002



TS-67005J1



Products Name : Exposed Thermostatic Shower Post c/w 10" Abs Round Shower Head, 1.8m Stainless Steel Flexible Hose and Hand Shower
 Functions : Two Functions (hand shower and shower head)
 Functions : To maintain an exact water temperature for the duration of your shower

Material : Brass
 Installation Type : Wall Mounted
 Cartridge Type : Brass Cartridge
 Application Place : Bathroom, Outdoor and Etc
 Water Saving Function : Available / Optional
 Water Connector Thread : ½ inch
 Minimum Water Pressure (Bar) : 2
 Maximum Water Pressure (Bar) : 6



FG-CAT35-01



FG-DIV-01



FG-AE22



FG-M55002



FG-001



FG-1.5M



FG-HOLDER



FG-SHOWER SPOUT



SHOWER HEAD



HAND SHOWER

EMERGENCY SERIES

FULLY STAINLESS STEEL 304



NEW PRODUCT **EES-01**



Products Name : Emergency Floor Mount Combination Unit of Shower & Eye Wash
 Dimension : ø8" inch for head shower, ø8" inch for eye bowl
 Finishing : Yellow colour coating
 Functions : Two Functions (Eye Wash and Shower Head)
 Functions : Flush away hazardous chemicals from a user's eyes, face or body that can cause injury
 Ball Valve : 1 inch shower ball valve with pull rod, ½ inch eye wash ball valve with push board
 Installation Type : Floor Mounted (screw on the floor)
 Eye Wash Flow Rate : 10-20 litres per minute
 Shower Head Flow Rate : >70 litres per minute
 Water Connector Thread : 1 inch (inlet and outlet)
 Minimum Water Pressure (Bar) : 2
 Maximum Water Pressure (Bar) : 4
 Application Place : Chemical, Petrochemical, Semi-conductor, Food, Pharmaceuticals, Lab and Etc
 Additional info: <https://youtu.be/bitW3QaldMs>



NEW PRODUCT **EEW-01**



Products Name : Floor Mounted Emergency Eye Wash
 Dimension : ø8" inch for eye bowl
 Finishing : Yellow colour coating
 Functions : Flush away hazardous chemicals from a user's eyes that can cause injury
 Ball Valve : ½ inch eye wash ball valve with push board
 Installation Type : Floor Mounted (screw on the floor)
 Eye Wash Flow Rate : 10-20 litres per minute
 Water Connector Thread : 1 inch (inlet and outlet)
 Minimum Water Pressure (Bar) : 2
 Maximum Water Pressure (Bar) : 4
 Application Place : Chemical, Petrochemical, Semi-conductor, Food, Pharmaceuticals, Lab and Etc
 Additional info: <https://youtu.be/bitW3QaldMs>

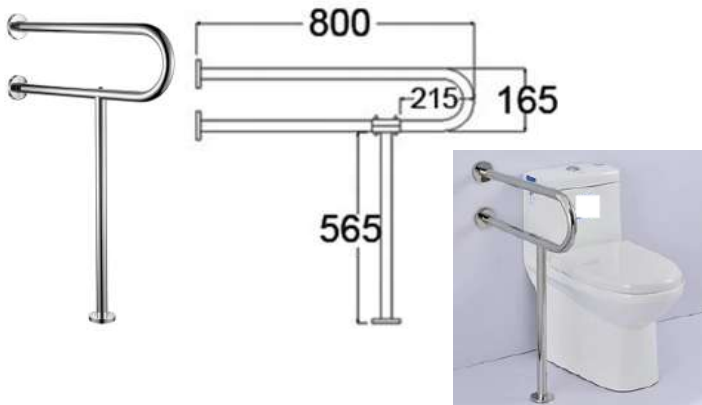


NEW PRODUCT **ESH-01**



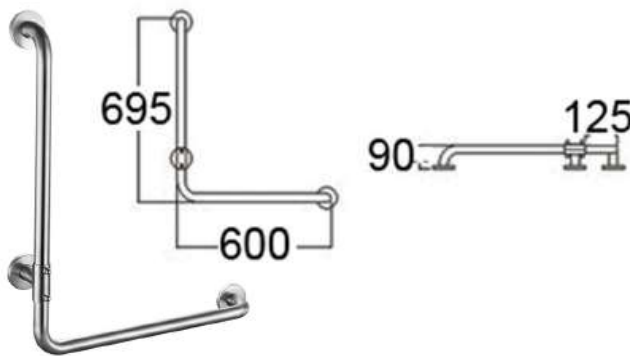
Products Name : Wall Mounted Emergency Shower
 Dimension : ø8" inch for head shower
 Finishing : Yellow colour coating
 Functions : Flush away hazardous chemicals from a user's eyes face or body that can cause injury
 Ball Valve : 1 inch shower ball valve with pull rod
 Installation Type : Wall Mounted (reference height 200cm-400cm)
 Shower Head Flow Rate : >70 litres per minute
 Water Connector Thread : 1 inch (inlet and outlet)
 Minimum Water Pressure (Bar) : 2
 Maximum Water Pressure (Bar) : 4
 Application Place : Chemical, Petrochemical, Semi-conductor, Food, Pharmaceuticals, Lab and Etc
 Additional info: <https://youtu.be/bitW3QaldMs>

HANDICAP GRAB BAR SERIES



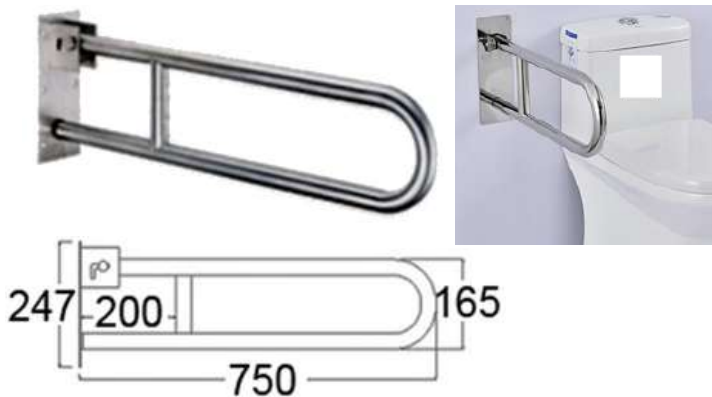
GB801/GB801-W

Products Name : Grab Bar - U-Shape C/W Leg
 Material : Stainless Steel 304
 Finishing : Matt Finish - GB801
 Coating : White Coated - GB801-W
 Functions : To Help Elderly, Disabled Individuals Support their Movement
 Dimension : Length 800mm, Height 730mm
 Diameter : $\varnothing 32$ mm
 Installation Type : Wall Mounted
 Application Place : Beside WC at Hospital/Care Facilities, Residences Bathroom/Bedroom



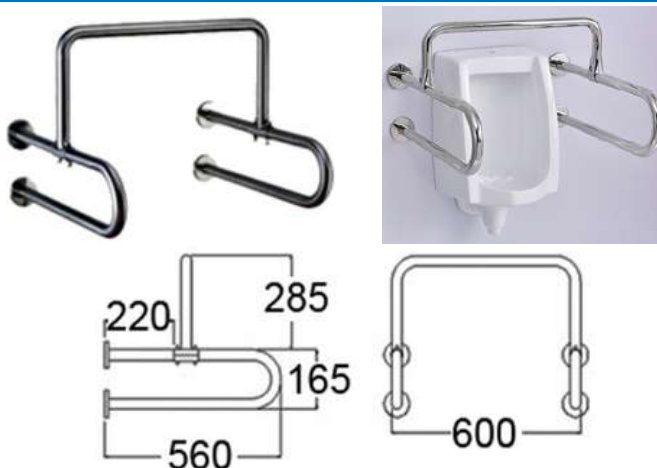
GB802/GB802-W

Products Name : Grab Bar - L-Shape
 Material : Stainless Steel 304
 Finishing : Matt Finish - GB802
 Coating : White Coated - GB802-W
 Functions : To Help Elderly, Disabled Individuals Support their Movement
 Dimension : Length 600mm, Height 700mm
 Diameter : $\varnothing 32$ mm
 Installation Type : Wall Mounted
 Application Place : Shower Area at Hospital/Care Facilities, Residences Bathroom/Bedroom
 Optional Accessories : Shower Holder for hand shower



GB803/GB803-W

Products Name : Grab Bar - Foldable U-Shape
 Material : Stainless Steel 304
 Finishing : Matt Finish - GB803
 Coating : White Coated - GB803-W
 Functions : To Help Elderly, Disabled Individuals Support their Movement
 Dimension : Length 750mm, Height 165mm
 Diameter : $\varnothing 32$ mm
 Installation Type : Wall Mounted
 Application Place : Beside WC at Hospital/Care Facilities, Residences Bathroom/Bedroom

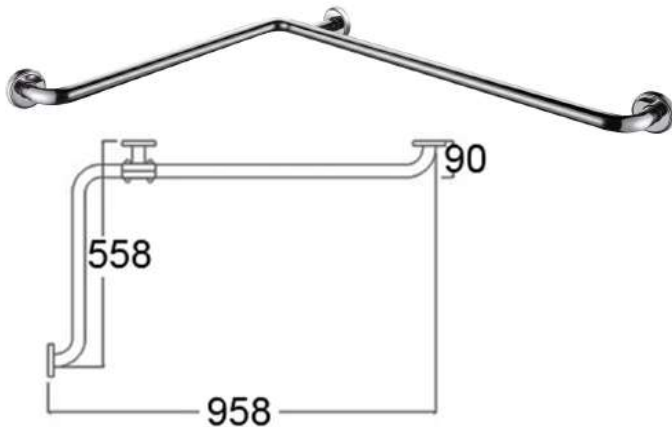


GB805/GB805-W

Products Name : Grab Bar - U-Shape Support Rail For Urinal
 Material : Stainless Steel 304
 Finishing : Matt Finish - GB805
 Coating : White Coated - GB805-W
 Functions : To Help Elderly, Disabled Individuals Support their Movement
 Dimension : Length 600mm, Height 450mm
 Diameter : $\varnothing 32$ mm
 Installation Type : Wall Mounted
 Application Place : Hospital/Care Facilities, Residences Bathroom/Bedroom and Etc

- sanitary wares not included, picture insert for reference only

HANDICAP GRAB BAR SERIES



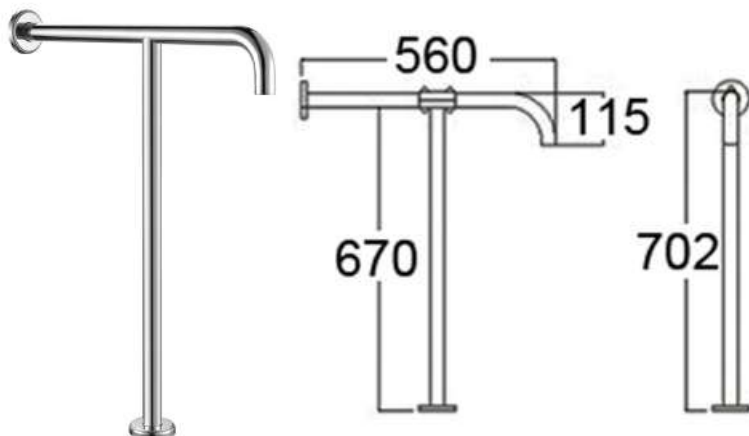
GB806/GB806-W

Products Name : Grab Bar - Corner
 Material : Stainless Steel 304
 Finishing : Matt Finish - GB806
 Coating : White Coated - GB806-W
 Functions : To Help Elderly, Disabled Individuals Support their Movement
 Dimension : Length 958mm, Height 558mm
 Diameter : \varnothing 32mm
 Installation Type : Wall Mounted
 Application Place : Hospital/Care Facilities, Residences Bathroom/Bedroom and Etc



GB804/GB804-W

Products Name : Grab Bar - Two U-Shape Support Rail and Legs
 Material : Stainless Steel 304
 Finishing : Matt Finish - GB804
 Coating : White Coated - GB804-W
 Functions : To Help Elderly, Disabled Individuals Support their Movement
 Dimension : Length 740mm, Height 730mm
 Diameter : \varnothing 32mm
 Installation Type : Wall Mounted
 Application Place : Hospital/Care Facilities, Residences Bathroom/Bedroom and Etc

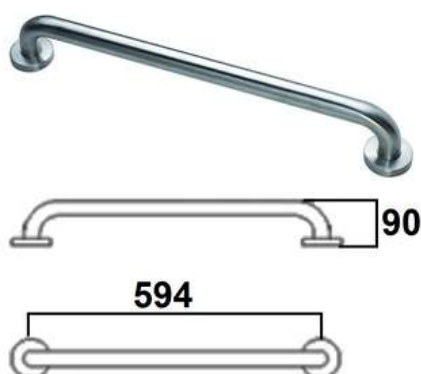


GB808/GB808-W

Products Name : Grab Bar - T-Shape
 Material : Stainless Steel 304
 Finishing : Matt Finish - GB808
 Coating : White Coated - GB808-W
 Functions : To Help Elderly, Disabled Individuals Support their Movement
 Dimension : Length 560mm, Height 702mm
 Diameter : \varnothing 32mm
 Installation Type : Wall Mounted
 Application Place : Hospital/Care Facilities, Residences Bathroom/Bedroom and Etc

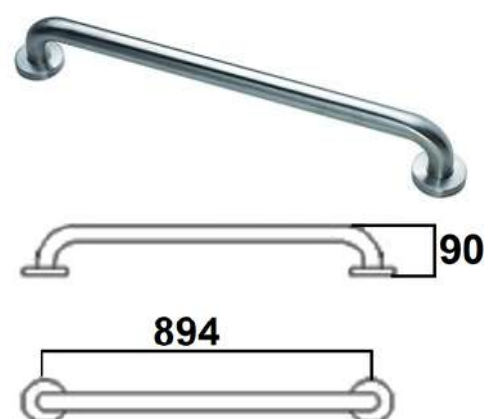
- sanitary wares not included, picture insert for reference only

HANDICAP GRAB BAR SERIES



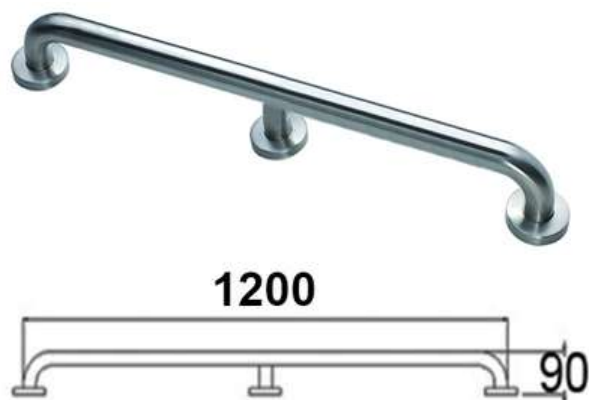
GB807-600/GB807-600-W

Products Name : Grab Bar - Rail
 Material : Stainless Steel 304
 Finishing : Matt Finish - GB807-600
 Coating : White Coated - GB807-600-W
 Functions : To Help Elderly, Disabled Individuals
 Support their Movement
 Dimension : Length 600mm, Height 90mm
 Diameter : \varnothing 38mm
 Installation Type : Wall Mounted
 Application Place : Hospital/Care Facilities, Residences
 Bathroom/Bedroom and Etc



GB807-900/GB807-900-W

Products Name : Grab Bar - Rail
 Material : Stainless Steel 304
 Finishing : Matt Finish - GB807-900
 Coating : White Coated - GB807-900-W
 Functions : To Help Elderly, Disabled Individuals
 Support their Movement
 Dimension : Length 900mm, Height 90mm
 Diameter : \varnothing 38mm
 Installation Type : Wall Mounted
 Application Place : Hospital/Care Facilities, Residences
 Bathroom/Bedroom and Etc



GB807-1200/GB807-1200-W

Products Name : Grab Bar - Rail
 Material : Stainless Steel 304
 Finishing : Matt Finish - GB807-1200
 Coating : White Coated - GB807-1200-W
 Functions : To Help Elderly, Disabled Individuals
 Support their Movement
 Dimension : Length 1220mm, Height 90mm
 Diameter : \varnothing 32mm
 Installation Type : Wall Mounted
 Application Place : Hospital/Care Facilities, Residences
 Bathroom/Bedroom and Etc

GRAB BAR SERIES



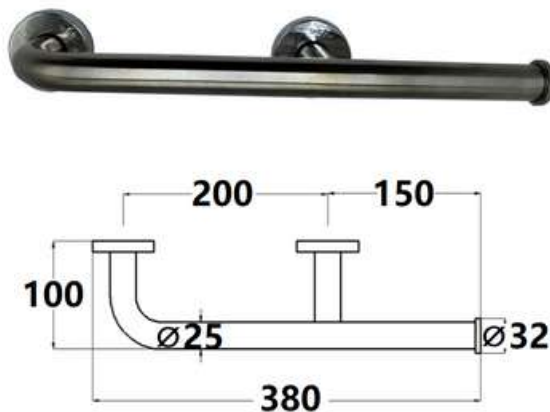
GB01

Products Name : Grab Bar - Rail
 Material : Stainless Steel 304
 Coating : Polished
 Functions : To Help Elderly, Disabled Individuals
 Support their Movement
 Dimension : Length 440mm, Height 60mm
 Diameter : \varnothing 25mm
 Installation Type : Wall Mounted
 Application Place : Hospital/Care Facilities, Residences
 Bathroom/Bedroom and Etc



GB02L / GB02R

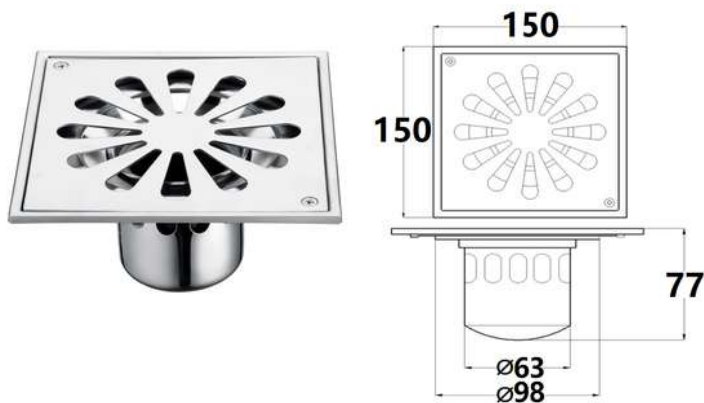
Products Name : Grab Bar - V-Shape
 Material : Stainless Steel 304
 Coating : Polished
 Functions : To Help Elderly, Disabled Individuals
 Support their Movement
 Dimension : Length 368mm, Height 246mm
 Diameter : \varnothing 25mm
 Installation Type : Wall Mounted
 Application Place : Hospital/Care Facilities, Residences
 Bathroom/Bedroom and Etc



GB03

Products Name : Grab Bar with Paper Holder
 Material : Stainless Steel 304
 Finishing : Matt Finish
 Functions : To Help Elderly, Disabled Individuals
 Support their Movement
 Dimension : Length 380mm, Width 100mm
 Diameter : \varnothing 25mm
 Installation Type : Wall Mounted
 Application Place : Hospital/Care Facilities, Residences
 Bathroom/Bedroom and Etc

ANTI VANDAL SERIES



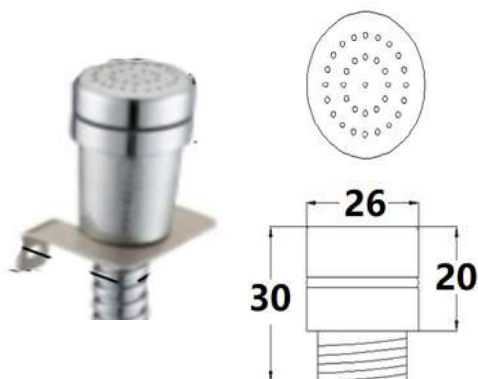
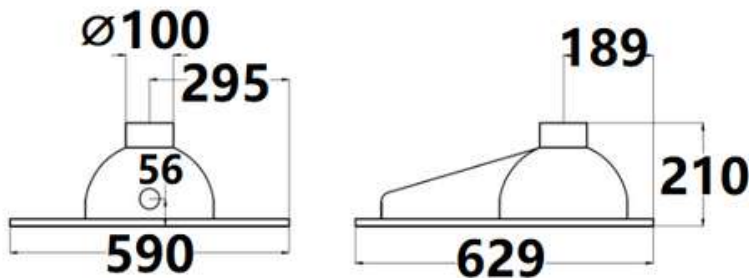
FT133-150

Products Name : Floor Grating - Anti Vandal
 Finishing : Nickel Brushed
 Material : Stainless Steel 304
 Thickness : 1mm
 Functions : Screw on cover to prevent vandalism, Anti Insect and Anti Odour
 Dimension : Length 150mm x Width 150mm
 Installation Type : On the Floor
 Application Place : Shower Area, Kitchen Area, Laundry Area and etc
 Advantages : Polished Edges
 Optional: A) Tork Screw
 B) Allen Key Screw



FG-S-PAN-M

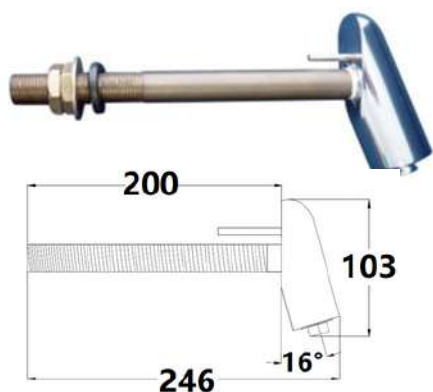
Products Name : Squatting Pan C/W Nozzle Outlet Fittings
 Finishing : Matt Finish
 Material : Stainless Steel 304
 Functions : To avoid the backflow of odour and smell
 Installation Type : On the Floor
 Application Place : Schools Toilet, Prisons Toilet, Public Toilet and etc



HB-AV-BS222S

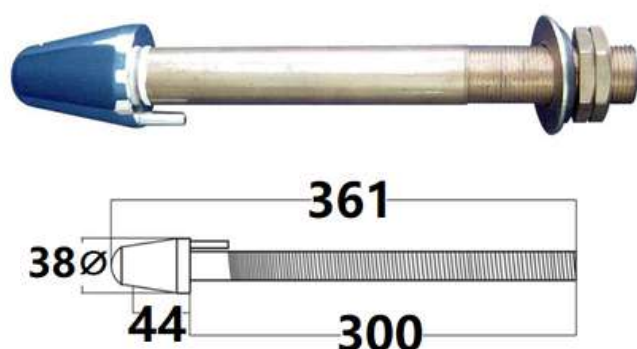
Products Name : Anti Vandal Bidet Nozzle with 1.2m Shower Hose
 Finishing : Polished Chromed
 Material : Brass (Bidet Nozzle), Stainless Steel (Holder, Flexible Hose)
 Finishing : Bidet Nozzle, Flexible Hose - Chromed Finish
 : Holder - Matt Finish
 Function : Prevent theft and vandalism
 Installation Type : Wall Mounted
 Application Place : Schools Toilet, Prisons Toilet, Public Toilet, Sports Facilities

ANTI VANDAL SERIES



FG-AVSH01

Products Name : Anti Vandal Shower Head
 Finishing : Polished Chromed
 Material : Brass
 Functions : Prevent theft and vandalism
 Installation Type : Wall Mounted
 Application Place : Schools Toilet, Prisons Toilet, Public Toilet, Sports Facilities



FG-AVBT01

Products Name : Anti Vandal Basin Tap
 Finishing : Polished Chromed
 Material : Brass
 Functions : Prevent theft and vandalism
 Installation Type : Wall Mounted
 Application Place : Schools Toilet, Prisons Toilet, Public Toilet, Sports Facilities



FG-AV-H

Products Name : Anti Vandal Bidet Holder
 Material : Stainless Steel
 Functions : Prevent theft and vandalism
 Installation Type : Wall Mounted



FG-SPN02

Products Name : Squatting Pan Fitting - Extra Long
 Material : Brass
 Installation Type : Install to Squatting Pan

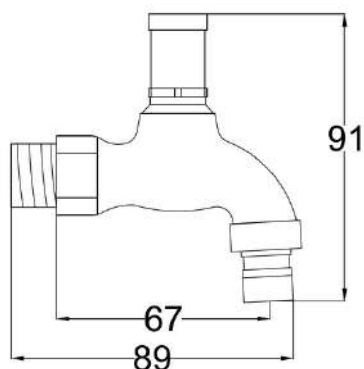


FG-SPN01

Products Name : Squatting Pan Nozzle
 Material : Brass
 Installation Type : Install to Squatting Pan

ANTI VANDAL SERIES

POLISHED CHROME FINISHING

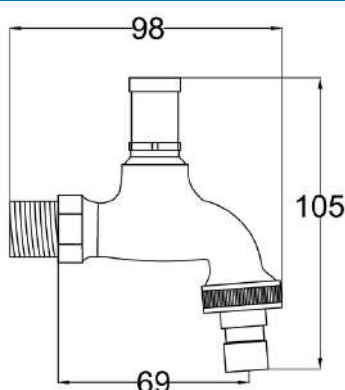


NEW **B07K1**



Products Name : Wall Hose Bib Tap – Quarter Turn (Key Operated)
 Material : Brass
 Cartridge Type : Brass Cartridge
 Installation Type : Wall Mounted
 Application Place : Public Area, Sports Facilities
 Water Saving Function : Available / Optional
 Water Connector Thread : ½ inch
 Minimum Water Pressure (Bar) : 1
 Maximum Water Pressure (Bar) : 7

FG-CATT7 FG-FLANGE02 FG-HT01

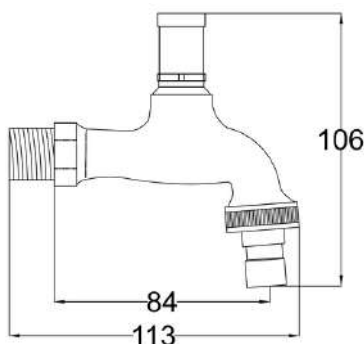


NEW **11025AK1**



Products Name : Wall Hose Bib Tap – Quarter Turn (Key Operated)
 Material : Brass
 Cartridge Type : Brass Cartridge
 Installation Type : Wall Mounted
 Application Place : Public Area, Sports Facilities
 Water Saving Function : Available / Optional
 Water Outlet Thread : ¾ inch
 Water Connector Thread : ½ inch
 Minimum Water Pressure (Bar) : 1
 Maximum Water Pressure (Bar) : 7

FG-CATT7 FG-FLANGE02 FG-HT02



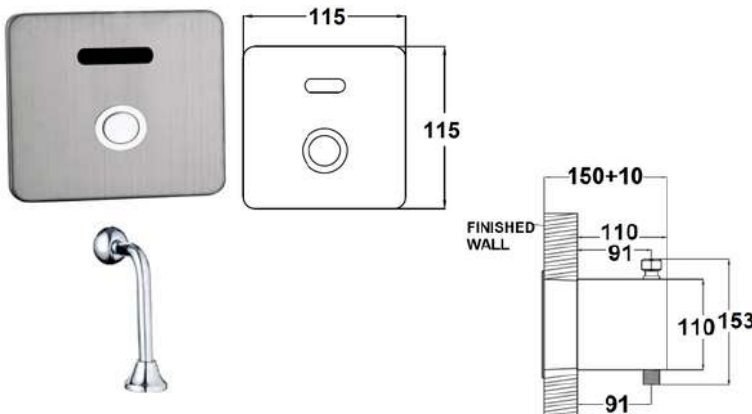
NEW **11025K1**



Products Name : Wall Hose Bib Tap – Quarter Turn (Key Operated)
 Material : Brass
 Cartridge Type : Brass Cartridge
 Installation Type : Wall Mounted
 Application Place : Public Area, Sports Facilities
 Water Saving Function : Available / Optional
 Water Outlet Thread : ¾ inch
 Water Connector Thread : ½ inch
 Minimum Water Pressure (Bar) : 1
 Maximum Water Pressure (Bar) : 7

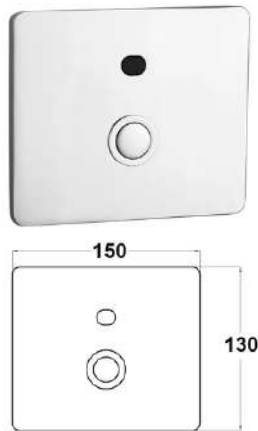
FG-CATT7 FG-FLANGE02 FG-HT02

SENSOR SERIES



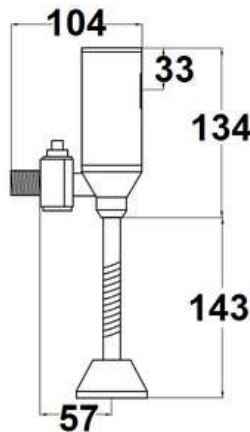
SEN-URS-03-AC

Products Name : Alternate Current Infrared Urinal Flush Valve With Manual Operation
 Functions : Cold, Sensor/Manual to Flush
 Finishing : Matt Finishing
 Material : Plate (Stainless Steel), Body (Brass)
 Operation : AC : 220V-240V (Input) DC : 6V (Output)
 Distance : 50cm between hand and sensor eye
 Water Outlet : Top Inlet
 Installation Type : (Concealed / Build-In) Wall Mounted
 Application Place : Public Toilet for Urinal / etc
 Water Saving Function : Available / Optional
 Water Connector Thread : 1/2 inch
 Minimum Water Pressure (Bar) : 1
 Maximum Water Pressure (Bar) : 6



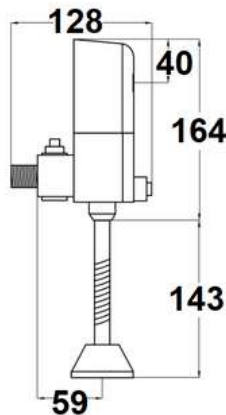
NEW SEN-WCS-02-AC

Products Name : Alternate Current Infrared W/C Flush Valve With Manual Operation
 Functions : Cold, Sensor/Manual to Flush
 Finishing : Chromed Finishing
 Material : Plate (Stainless Steel), Body (Brass)
 Operation : AC : 220V-240V (Input) DC : 6V (Output)
 Distance : 50cm between body and sensor eye
 Water Outlet : Top Inlet
 Installation Type : (Concealed / Build-In) Wall Mounted
 Application Place : Public Toilet for W/C and etc
 Water Saving Function : Available / Optional
 Water Connector Thread : 1/2 inch
 Minimum Water Pressure (Bar) : 1
 Maximum Water Pressure (Bar) : 6



NEW SEN-URS-05-DC

Products Name : Direct Current Infrared Urinal Flush Valve
 Functions : Cold, Sensor to Flush
 Finishing : Chromed Finishing
 Material : Brass Body, Stainless Steel Pipe
 Operation : 4 pcs of AAA Battery, Battery Not Included
 Distance : 50cm between body and sensor eye
 Water Outlet : Top Inlet
 Installation Type : Exposed Wall Mounted
 Application Place : Public Toilet and etc
 Water Saving Function : Available / Optional
 Water Connector Thread : 1/2 inch
 Minimum Water Pressure (Bar) : 1
 Maximum Water Pressure (Bar) : 6



NEW SEN-URS-04-DC

Products Name : Direct Current Infrared Urinal Flush Valve with Manual Operation
 Functions : Cold, Sensor/Manual to Flush
 Finishing : Chromed Finishing
 Material : Brass Body, Stainless Steel Pipe
 Operation : 4 pcs of AAA Battery, Battery Not Included
 Distance : 50cm between body and sensor eye
 Water Outlet : Top Inlet
 Installation Type : Exposed Wall Mounted
 Application Place : Public Toilet and etc
 Water Saving Function : Available / Optional
 Water Connector Thread : 1/2 inch
 Minimum Water Pressure (Bar) : 1
 Maximum Water Pressure (Bar) : 6

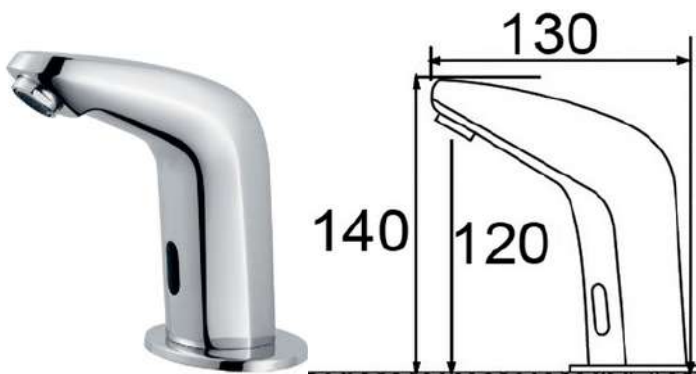
SENSOR SERIES

POLISHED CHROME FINISHING



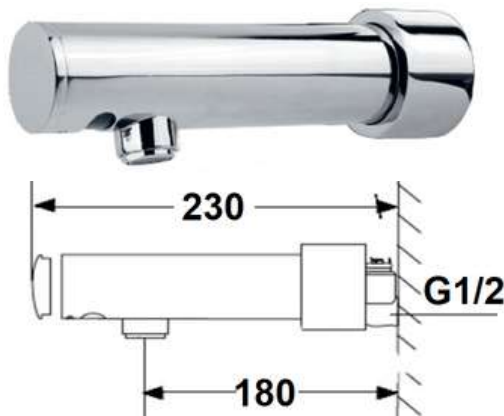
SEN-BAS-01-AC

Products Name : Alternate Current Infrared Basin Tap With Transformer - Full Set
 Material : Brass
 Functions : To avoid germs and bacteria by touching the tap
 Operation : AC : 220V-240V (Input) DC : 6V (Output)
 Distance : 15cm between the hand and sensor eye
 Aerator Type : Bubble
 Installation Type : Deck Mounted
 Application Place : Public Toilet Basin, Bathroom Basin, Kitchen Basin and etc
 Water Saving Function : Available / Optional
 Water Connector Thread : ½ inch
 Minimum Water Pressure (Bar) : 1
 Maximum Water Pressure (Bar) : 6



SEN-BAS-03-AC

Products Name : Alternate Current Infrared Basin Tap With Transformer - Full Set
 Material : Brass
 Functions : To avoid germs and bacteria by touching the tap
 Operation : AC : 220V-240V (Input) DC : 6V (Output)
 Distance : 15cm between the hand and sensor eye
 Aerator Type : Bubble
 Installation Type : Deck Mounted
 Application Place : Public Toilet Basin, Bathroom Basin, Kitchen Basin and etc
 Water Saving Function : Available / Optional
 Water Connector Thread : ½ inch
 Minimum Water Pressure (Bar) : 1
 Maximum Water Pressure (Bar) : 6



SEN-BAS-05-AC

Products Name : Battery Operated Infrared Basin Tap Without Battery
 Material : Brass
 Functions : To avoid germs and bacteria by touching the tap
 Operation : 4 pcs of AAA Battery
 Distance : 15cm between the hand and sensor eye
 Aerator Type : Bubble
 Installation Type : Wall Mounted
 Application Place : Public Toilet Basin, Bathroom Basin, Kitchen Basin and etc
 Water Saving Function : Available / Optional
 Water Connector Thread : ½ inch
 Minimum Water Pressure (Bar) : 1
 Maximum Water Pressure (Bar) : 6



SEN-BAS-06-AC

Products Name : Alternate Current Infrared Basin Tap With Transformer - Full Set
 Material : Brass
 Functions : To avoid germs and bacteria by touching the tap
 Operation : AC : 220V-240V (Input) DC : 6V (Output)
 Distance : 15cm between the hand and sensor eye
 Aerator Type : Bubble
 Installation Type : Wall Mounted
 Application Place : Public Toilet Basin, Bathroom Basin, Kitchen Basin and etc
 Water Saving Function : Available / Optional
 Water Connector Thread : ½ inch
 Minimum Water Pressure (Bar) : 1
 Maximum Water Pressure (Bar) : 6

SENSOR SERIES

SPARE PARTS



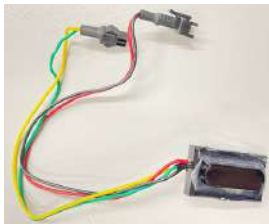
SEN-BAS-SENSOR

Products Name : Basin Tap
Sensor Eyes
Functions : To sensor the hand
and send the signal to
solenoid valve



SEN-UR-SENSOR-3

Products Name : Urinal Sensor Eyes
Functions : To sensor the body and
send the signal to
solenoid valve



SEN-UR-SENSOR-4 SEN-UR-SENSOR-5

Products Name : Urinal Sensor Eyes
Functions : To sensor the body and
send the signal to
solenoid valve



SEN-WC-SENSOR

Products Name : Water Closet
Sensor Eyes
Functions : To sensor the body and
send the signal to
solenoid valve



SEN-BAS-T

Products Name : Basin Tap Sensor
Transformer
Functions : To connect between
the power supply and the
sensor eye
Functions : To control the voltage of the
electrical



SEN-URS-T SEN-WCS-T

Products Name : Urinal Sensor
Transformer
Functions : To connect between
the power supply and the
sensor eye.
Functions : To control the voltage of the
electrical



SEN-BAS-SV

Products Name : Basin Tap Sensor
Solenoid Valve
Functions : When the sensor eye
detects a user, it will release
water from the solenoid valve



SEN-URS-SV-3 SEN-WCS-SV-2

Products Name : Urinal Sensor/
Water Closet
Solenoid Valve
Functions : When the sensor eye
detects a user, it will release
water from the solenoid valve



SEN-URS-SV-4

Products Name : Urinal Sensor
Solenoid Valve
Functions : When the sensor eye
detects a user, it will release
water from the solenoid valve



SEN-URS-SV-5

Products Name : Urinal Sensor
Solenoid Valve
Functions : When the sensor eye
detects a user, it will release
water from the solenoid valve



SEN-UR-C3

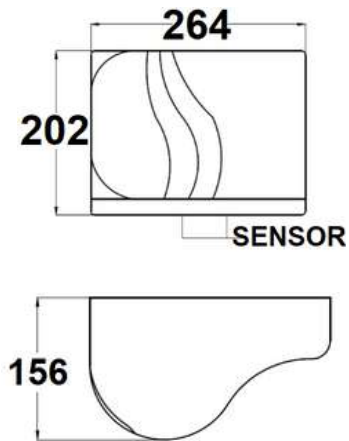
Products Name : Urinal Sensor Cover
Plate c/w Push Button
and Sensor Eye
Material : Stainless Steel
Finishing : Matt Finishing



SEN-WC-C2

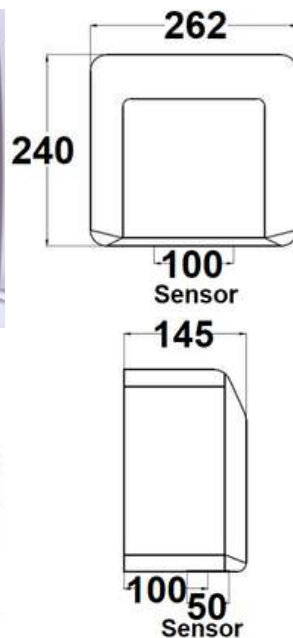
Products Name : Water Closet Sensor
Cover Plate c/w Push
Button and Sensor Eye
Material : Stainless Steel
Finishing : Polished Finishing

HAND DRYER SERIES



HD01

Products Name : Automatic Hand Dryer Sensor with A/C Adapter
 Operation : AC-240V
 Power : 2000W
 Material : Aluminum
 Coating : White
 Functions : Dry up the hands after washing. Stay hygiene and Save toilet papers
 Distance : 15cm between hand and sensor eye
 Installation Type : (Concealed / Build-In) Wall Mounted
 Application Place : Public Toilet, Bathroom and etc

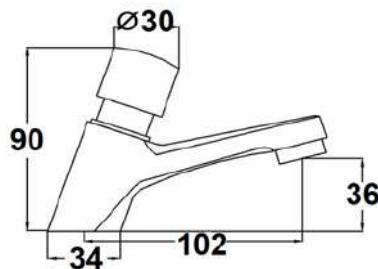


HD002SS

Products Name : Automatic Hand Dryer Sensor with A/C Adapter
 Operation : AC-240V
 Power : 2500W
 Material : Stainless Steel 304
 Finishing : Matt Finishing
 Functions : Dry up the hands after washing. Stay hygiene and Save toilet papers
 Distance : 15cm between hand and sensor eye
 Installation Type : (Concealed / Build-In) Wall Mounted
 Application Place : Public Toilet, Bathroom and etc

SELF CLOSING TAP SERIES

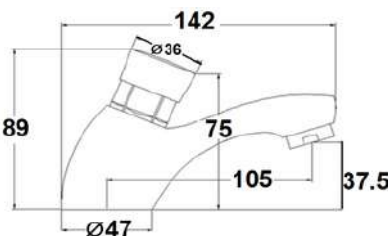
POLISHED CHROME FINISHING



SC01



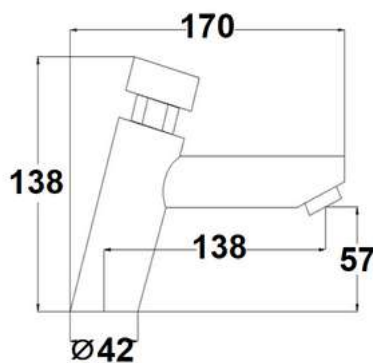
Products Name : Pillar Self Closing Tap
 Functions : Press To Release Water
 Material : Brass
 Aerator Type : Bubble
 Piston Type : Brass Piston
 Installation Type : Pillar Mounted
 Application Place : Public Toilet Basin, Bathroom Basin and etc
 Water Saving Function : Available / Optional
 Water Connector Thread : ½ inch
 Minimum Water Pressure (Bar) : 1
 Maximum Water Pressure (Bar) : 7
 Advantages : Control water wastage



SC02



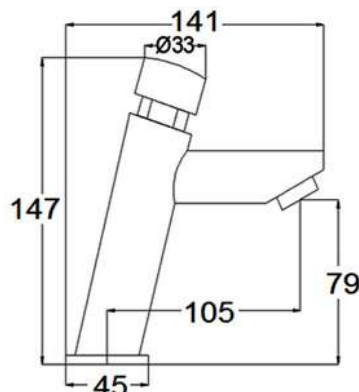
Products Name : Pillar Self Closing Tap
 Functions : Press To Release Water
 Material : Brass
 Aerator Type : Bubble
 Piston Type : Brass Piston
 Installation Type : Pillar Mounted
 Application Place : Public Toilet Basin, Bathroom Basin and etc
 Water Saving Function : Available / Optional
 Water Connector Thread : ½ inch
 Minimum Water Pressure (Bar) : 1
 Maximum Water Pressure (Bar) : 7
 Advantages : Control water wastage



SC03



Products Name : Pillar Self Closing Tap
 Functions : Press To Release Water
 Material : Brass
 Aerator Type : Bubble
 Piston Type : Brass Piston
 Installation Type : Pillar Mounted
 Application Place : Public Toilet Basin, Bathroom Basin and etc
 Water Saving Function : Available / Optional
 Water Connector Thread : ½ inch
 Minimum Water Pressure (Bar) : 1
 Maximum Water Pressure (Bar) : 7
 Advantages : Control water wastage



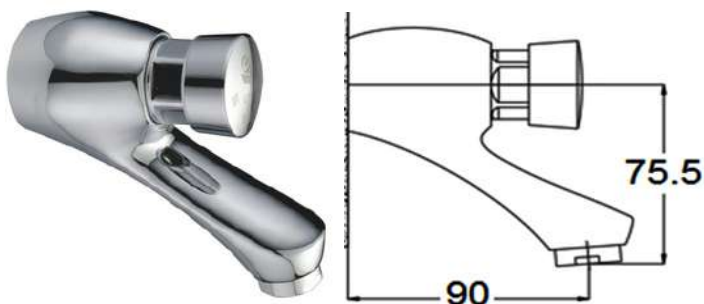
SC03A



Products Name : Pillar Self Closing Tap
 Functions : Press To Release Water
 Material : Brass
 Aerator Type : Bubble
 Piston Type : Brass Piston
 Installation Type : Pillar Mounted
 Application Place : Public Toilet Basin, Bathroom Basin and etc
 Water Saving Function : Available / Optional
 Water Connector Thread : ½ inch
 Minimum Water Pressure (Bar) : 1
 Maximum Water Pressure (Bar) : 7
 Advantages : Control water wastage

SELF CLOSING TAP SERIES

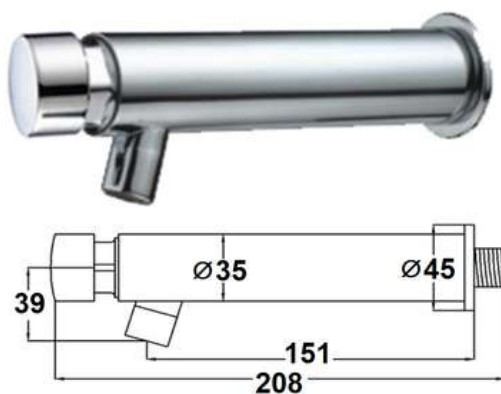
POLISHED CHROME FINISHING



SC04



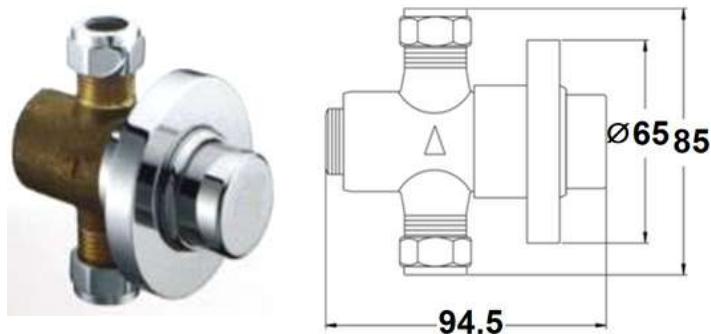
Products Name : Wall Self Closing Tap
 Functions : Press To Release Water
 Material : Brass
 Aerator Type : Bubble
 Piston Type : Brass Piston
 Installation Type : Wall Mounted
 Application Place : Public Toilet Basin, Bathroom Basin and etc
 Water Saving Function : Available / Optional
 Water Connector Thread : 1/2 inch
 Minimum Water Pressure (Bar) : 1
 Maximum Water Pressure (Bar) : 7
 Advantages : Control water wastage



SC05W



Products Name : Wall Self Closing Tap
 Functions : Press To Release Water
 Material : Brass
 Aerator Type : Bubble
 Piston Type : Brass Piston
 Installation Type : Wall Mounted
 Application Place : Public Toilet Basin, Bathroom Basin and etc
 Water Saving Function : Available / Optional
 Water Connector Thread : 1/2 inch
 Minimum Water Pressure (Bar) : 1
 Maximum Water Pressure (Bar) : 7
 Advantages : Control water wastage



CSC01



Products Name : Wall Self Closing Stopvalve
 Functions : Press To Release Water
 Material : Brass
 Piston Type : Brass Piston
 Installation Type : Wall Mounted
 Application Place : Public Toilet Basin, Bathroom Basin and etc
 Water Saving Function : Available / Optional
 Water Connector Thread : 1/2 inch
 Minimum Water Pressure (Bar) : 1
 Maximum Water Pressure (Bar) : 7
 Advantages : Control water wastage

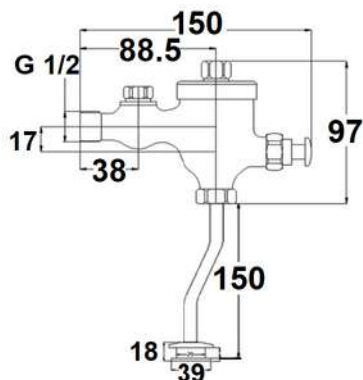


PIS03

Products Name : Piston for SC02/SC03A/SC03
 Material : Brass
 Finishing : Polished Finishing

URINAL FLUSH VALVE SERIES

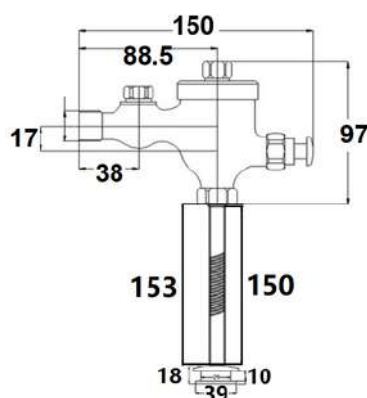
POLISHED CHROME FINISHING



UR01BP



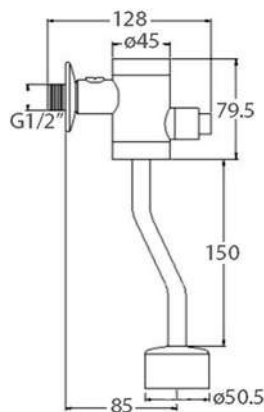
Products Name : Exposed Urinal Flush Valve with Push Button
 Functions : Manual Press to Flush, 1-2 litres/flush
 Material : Brass
 Water Outlet : Top Inlet
 Installation Type : Wall Mounted
 Application Place : Public Toilet for Men and etc
 Water Saving Function : Available / Optional
 Water Connector Thread : 1/2 inch
 Minimum Water Pressure (Bar) : 1
 Maximum Water Pressure (Bar) : 7



UR01SPP



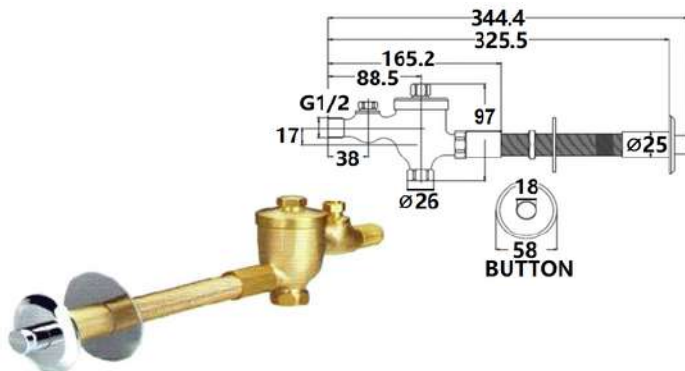
Products Name : Exposed Urinal Flush Valve with Push Button
 Functions : Manual Press to Flush, 1-2 litres/flush
 Material : Brass
 Water Outlet : Top Inlet
 Installation Type : Wall Mounted
 Application Place : Public Toilet for Men and etc
 Water Saving Function : Available / Optional
 Water Connector Thread : 1/2 inch
 Minimum Water Pressure (Bar) : 1
 Maximum Water Pressure (Bar) : 7



UR09BP



Products Name : Exposed Urinal Flush Valve with Push Button
 Functions : Manual Press to Flush, 1-2 litres/flush
 Material : Brass
 Water Outlet : Top Inlet
 Installation Type : Wall Mounted
 Application Place : Public Toilet for Men and etc
 Water Saving Function : Available / Optional
 Water Connector Thread : 1/2 inch
 Minimum Water Pressure (Bar) : 1
 Maximum Water Pressure (Bar) : 7



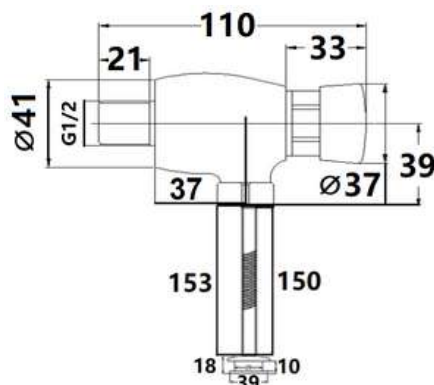
UR01D



Products Name : Concealed Urinal Flush Valve with Push Button
 Functions : Manual Press to Flush, 1-2 litres/flush
 Material : Brass
 Water Outlet : Back Inlet
 Installation Type : (Concealed / Build-In) Wall Mounted
 Application Place : Public Toilet for Men and etc
 Water Saving Function : Available / Optional
 Water Connector Thread : 1/2 inch
 Minimum Water Pressure (Bar) : 1
 Maximum Water Pressure (Bar) : 7

URINAL FLUSH VALVE SERIES

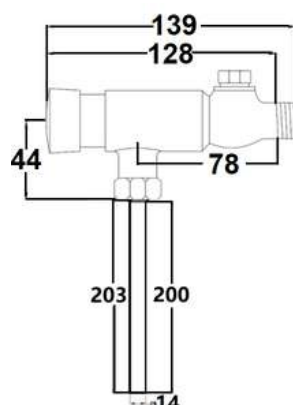
POLISHED CHROME FINISHING



URO1BSPP



Products Name : Self Closing Urinal Flush Valve
 Functions : Manual Press to Flush, 1-2 litres/flush
 Material : Brass
 Water Outlet : Top Inlet
 Installation Type : Wall Mounted
 Application Place : Public Toilet for Men and etc
 Water Saving Function : Available / Optional
 Water Connector Thread : ½ inch
 Minimum Water Pressure (Bar) : 1
 Maximum Water Pressure (Bar) : 7



UR06



Products Name : Self Closing Urinal Flush Valve
 Functions : Manual Press to Flush, 1-2 litres/flush
 Material : Brass
 Water Outlet : Top Inlet
 Installation Type : Wall Mounted
 Application Place : Public Toilet for Men and etc
 Water Saving Function : Available / Optional
 Water Connector Thread : ½ inch
 Minimum Water Pressure (Bar) : 1
 Maximum Water Pressure (Bar) : 7

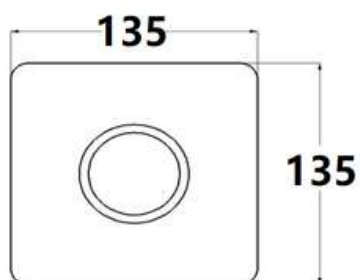


UR01C

Products Name : Urinal Flush Valve
 Functions : Cold, Manual to Flush, 1-2 litres/flush
 Material : Brass
 Water Outlet : Top Inlet
 Installation Type : Wall Mounted
 Application Place : Public Toilet for Men and etc
 Water Saving Function : Available / Optional
 Water Connector Thread : ½ inch
 Minimum Water Pressure (Bar) : 1
 Maximum Water Pressure (Bar) : 7

URINAL FLUSH VALVE SERIES

POLISHED CHROME FINISHING



UR01BOX2-TI

Products Name : Concealed Box Type Urinal Flush Valve
With Push Button

Functions : Manual Press to Flush, 1-2 litres/flush

Finishing : Matt Finishing

Material : Plate (Stainless Steel), Body (Brass)

Water Outlet : Top Inlet

Installation Type : Wall Mounted

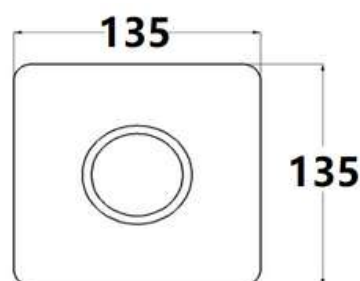
Application Place : Public Toilet for Men and etc

Water Saving Function : Available / Optional

Water Connector Thread : 1/2 inch

Minimum Water Pressure (Bar) : 1

Maximum Water Pressure (Bar) : 7



UR01BOX2-BI

Products Name : Concealed Box Type Urinal Flush Valve
With Push Button

Functions : Manual Press to Flush, 1-2 litres/flush

Finishing : Matt Finishing

Material : Plate (Stainless Steel), Body (Brass)

Water Outlet : Back Inlet

Installation Type : Wall Mounted

Application Place : Public Toilet for Men and etc

Water Saving Function : Available / Optional

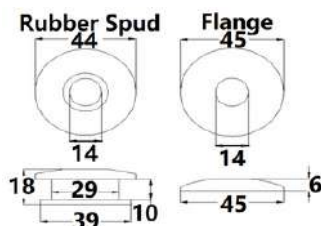
Water Connector Thread : 1/2 inch

Minimum Water Pressure (Bar) : 1

Maximum Water Pressure (Bar) : 7

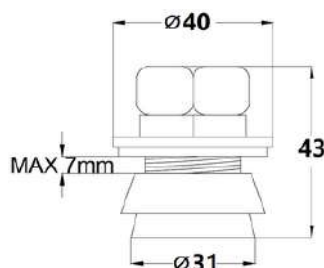
URINAL FLUSH VALVE SERIES

SPARE PARTS



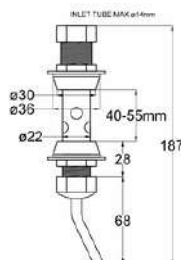
UR03

Products Name : Urinal Flush Valve Rubber Spud
 Material : Rubber/Stainless Steel
 Finishing : Chromed
 Functions : To prevent leaking from the Wall Hung Urinal Bowl



UR02

Products Name : Urinal Flush Valve Metal Spud
 Material : Metal
 Finishing : Polished Chrome
 Functions : To prevent leaking from the Wall Hung Urinal Bowl



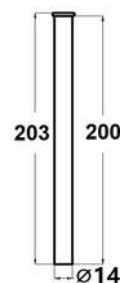
URCN

Products Name : Urinal Cleansing Nozzle
 Material : Brass
 Finishing : Polished Chrome



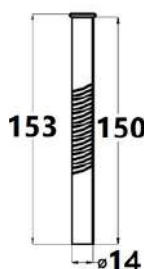
PIS02

Products Name : Urinal Flush Valve Piston
 Material : Brass
 Functions : To operate the flush valve



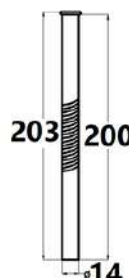
UR03SP-200

Products Name : Urinal Flush Valve Straight Pipe
 Dimension : (200 x 14mm)
 Material : Stainless Steel
 Finishing : Polished Chrome
 Functions : To connect between the outlet of the Urinal flush valve and the Wall Hung Urinal Bowl



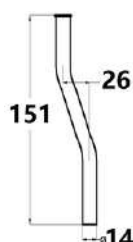
UR03-150

Products Name : Urinal Flush Valve Polyferated Pipe
 Dimension : (150 x 14mm)
 Material : Stainless Steel
 Finishing : Polished Chrome
 Functions : To connect between the outlet of the Urinal flush valve and the Wall Hung Urinal Bowl



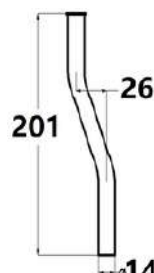
UR03-200

Products Name : Urinal Flush Valve Polyferated Pipe
 Dimension : (200 x 14mm)
 Material : Stainless Steel
 Finishing : Polished Chrome
 Functions : To connect between the outlet of the Urinal flush valve and the Wall Hung Urinal Bowl



UR03BP-150

Products Name : Urinal Flush Valve Bend Pipe
 Dimension : (150 x 14mm)
 Material : Stainless Steel
 Finishing : Polished Chrome
 Functions : To connect between the outlet of the Urinal flush valve and the Wall Hung Urinal Bowl

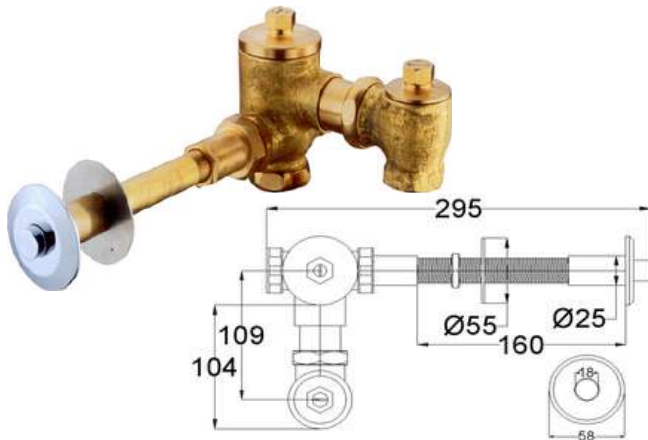


UR03BP-200

Products Name : Urinal Flush Valve Bend Pipe
 Dimension : (200 x 14mm)
 Material : Stainless Steel
 Finishing : Polished Chrome
 Functions : To connect between the outlet of the Urinal flush valve and the Wall Hung Urinal Bowl

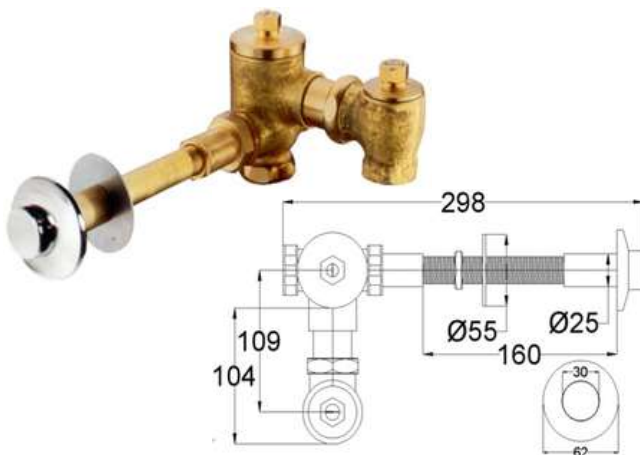
WC FLUSH VALVES SERIES

POLISHED CHROME FINISHING



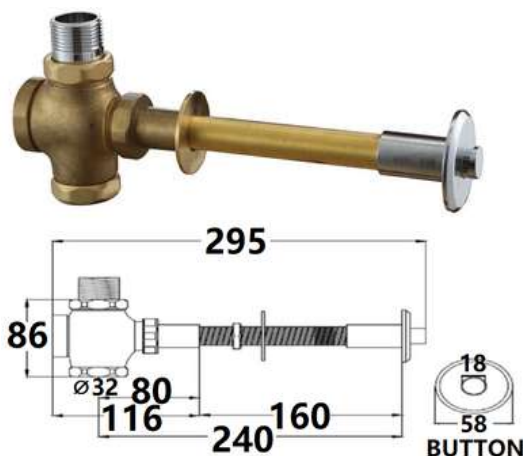
WC01A

Products Name : Concealed Thru Wall W/C Flush Valve
With Push Button
Functions : Manual Press to Flush, 4-5 litres/flush
Material : Brass
Water Outlet : Back Inlet
Installation Type : Wall Mounted
Application Place : Public Toilet for W/C and etc
Water Saving Function : Available / Optional
Water Connector Thread : 1" inch
Minimum Water Pressure (Bar) : 1
Maximum Water Pressure (Bar) : 7



WC01A-PP

Products Name : Concealed Thru Wall W/C Flush Valve
With Push Button
Functions : Manual Press to Flush, 4-5 litres/flush
Material : Brass
Water Outlet : Back Inlet
Installation Type : Wall Mounted
Application Place : Public Toilet for W/C and etc
Water Saving Function : Available / Optional
Water Connector Thread : 1" inch
Minimum Water Pressure (Bar) : 1
Maximum Water Pressure (Bar) : 7

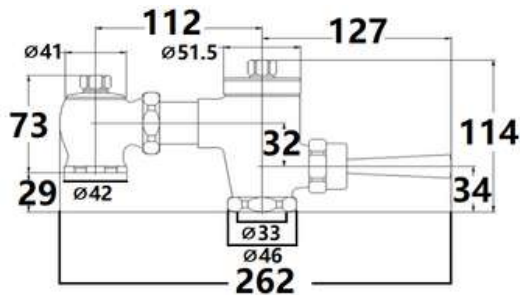


WC01B(H93)

Products Name : Concealed Thru Wall W/C Flush Valve
With Push Button
Functions : Manual Press to Flush, Suitable for Low Pressure,
2-3 litres/flush
Material : Brass
Water Outlet : Back Inlet
Installation Type : Wall Mounted
Application Place : Public Toilet for W/C and etc
Water Saving Function : Available / Optional
Water Connector Thread : 1" inch
Minimum Water Pressure (Bar) : 1
Maximum Water Pressure (Bar) : 3

WC FLUSH VALVES SERIES

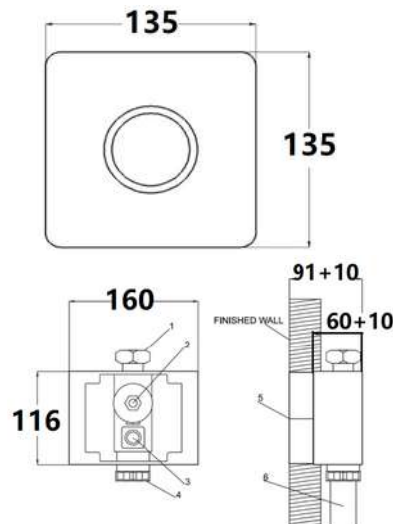
POLISHED CHROME FINISHING



WC01



Products Name : Exposed W/C Flush Valve C/W 60mm Inlet Pipe
 Functions : Manual Pull to Flush, 4-5 litres/flush
 Material : Brass
 Water Outlet : Back Inlet
 Installation Type : Pillar Mounted
 Application Place : Public Toilet for W/C and etc
 Water Saving Function : Available / Optional
 Water Connector Thread : 1" inch
 Minimum Water Pressure (Bar) : 1
 Maximum Water Pressure (Bar) : 7



WC01BOX2



Products Name : Concealed Box Type W/C Flush Valve
 With Push Button
 Functions : Manual Press to Flush, 6-7 litres/flush
 Finishing : Matt Finishing
 Material : Plate (Stainless Steel), Body (Brass)
 Water Outlet : Back Inlet
 Installation Type : Wall Mounted
 Application Place : Public Toilet for W/C and etc
 Water Saving Function : Available / Optional
 Water Connector Thread : 1" inch
 Minimum Water Pressure (Bar) : 1
 Maximum Water Pressure (Bar) : 7

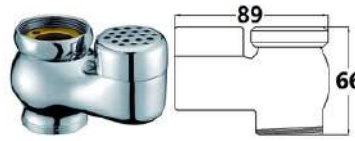
WC FLUSH VALVES SERIES

WATER CLOSET SPARE PARTS



WC03A

Products Name : Water Closet Vacuum Breaker
 Material : Brass
 Finishing : Polished Chrome
 Functions : Allows smoother flushing



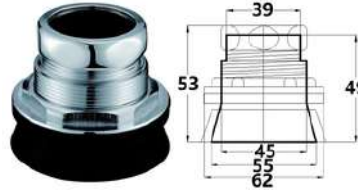
WC03

Products Name : Water Closet Vacuum Breaker
 Material : Brass
 Finishing : Polished Chrome
 Functions : Allows smoother flushing



WCRS

Products Name : Water Closet Rubber Spud
 Material : Rubber
 Functions : To Connect the pipe and the WC



WC02

Products Name : Water Closet Metal Spud
 Material : Metal
 Finishing : Polished Chrome
 Functions : To Connect the pipe and WC (Top Inlet)



WC06:65

Products Name : Water Closet Flush Valve Inlet Pipe
 Dimension : (65mm x ø32)
 Material : Brass
 Finishing : Polished Chrome
 Functions : To Connect between the Main Water and the WC Flush Valve



WC06:90

Products Name : Water Closet Flush Valve Inlet Pipe
 Dimension : (90mm x ø32)
 Material : Brass
 Finishing : Polished Chrome
 Functions : To Connect between the Main Water and the WC Flush Valve



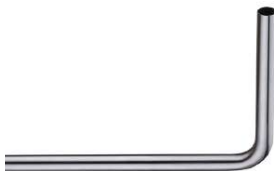
PIS01

Products Name : Water Closet Flush Valve Piston
 Material : Brass
 Functions : To operate the flush valve



WC04

Products Name : Water Closet Straight Pipe
 Dimension : (600 x ø32mm)
 Material : Stainless Steel
 Finishing : Polished Chrome
 Functions : To connect between the outlet of the WC flush valve and the WC



WC05:800

Products Name : Water Closet L-Pipe
 Dimension : (800x300xø32mm)
 Material : Stainless Steel
 Finishing : Polished Chrome
 Functions : To connect between the outlet of the WC flush valve and the WC

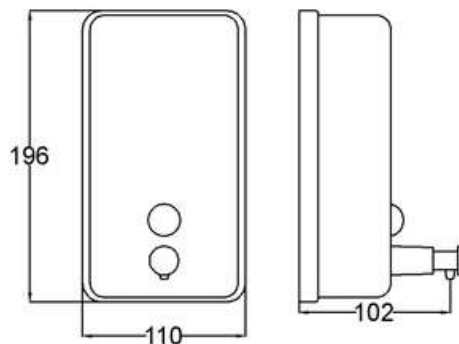


WC05:1200

Products Name : Water Closet L-Pipe
 Dimension : (1200x500xø32mm)
 Material : Stainless Steel
 Finishing : Polished Chrome
 Functions : To connect between the outlet of the WC flush valve and the WC

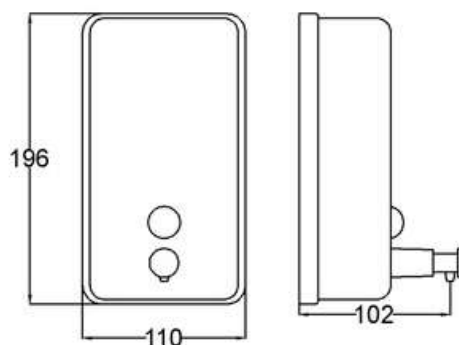
SOAP DISPENSERS SERIES

POLISHED CHROME / MATT FINISH



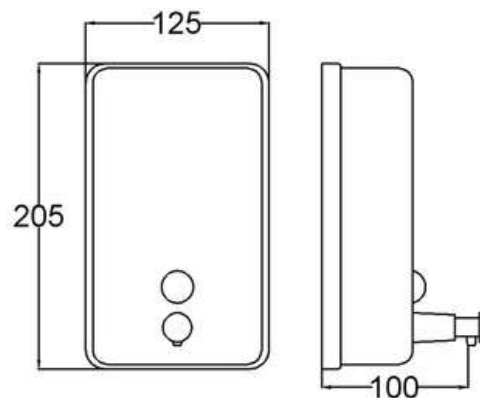
SD800M

Products Name : Soap Dispenser - 800ml
 Functions : To store liquid soap/shampoo
 Finishing : Matt Finish
 Material : Stainless Steel 304
 Installation Type : Wall Mounted
 Application Place : Bathroom, Kitchen, Outdoor and Etc



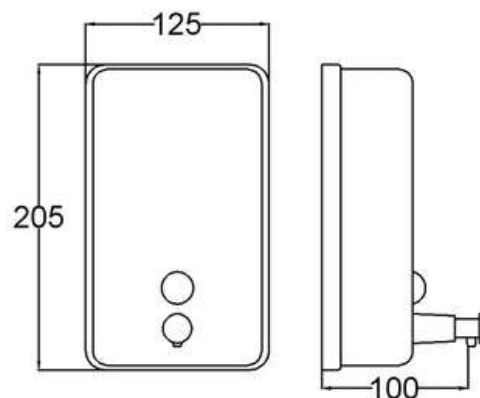
SD800C

Products Name : Soap Dispenser - 800ml
 Functions : To store liquid soap/shampoo
 Finishing : Polished Chrome
 Material : Stainless Steel 304
 Installation Type : Wall Mounted
 Application Place : Bathroom, Kitchen, Outdoor and Etc



SD1000M

Products Name : Soap Dispenser - 1000ml
 Functions : To store liquid soap/shampoo
 Finishing : Matt Finish
 Material : Stainless Steel 304
 Installation Type : Wall Mounted
 Application Place : Bathroom, Kitchen, Outdoor and Etc



SD1000C

Products Name : Soap Dispenser - 1000ml
 Functions : To store liquid soap/shampoo
 Finishing : Polished Chrome
 Material : Stainless Steel 304
 Installation Type : Wall Mounted
 Application Place : Bathroom, Kitchen, Outdoor and Etc

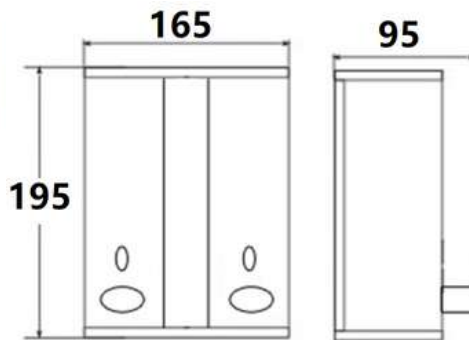
SOAP DISPENSERS SERIES

POLISHED CHROME FINISHING



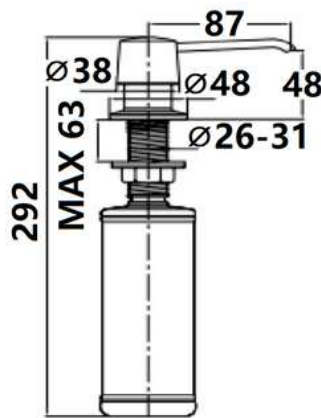
LD400A

Products Name : Soap Dispenser - 400ml
 Functions : To store liquid soap/shampoo
 Material : ABS
 Installation Type : Wall Mounted
 Application Place : Bathroom, Kitchen, Outdoor and Etc



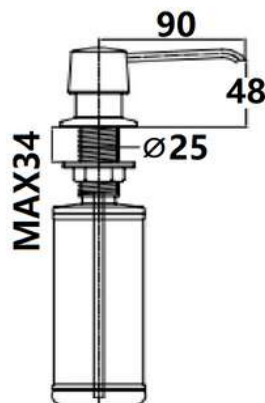
LD800B

Products Name : Double Soap Dispenser - 400ml x 2
 Functions : To store liquid soap/shampoo
 Material : ABS
 Installation Type : Wall Mounted
 Application Place : Bathroom, Kitchen, Outdoor and Etc



SD219-B

Products Name : Soap Dispenser - 300ml
 Functions : To store liquid soap/shampoo
 Material : Brass Mechanism, ABS Bottle
 Installation Type : Kitchen Sink/ Bathroom Basin
 Application Place : Bathroom, Kitchen, Outdoor and Etc



SD219-A

Products Name : Soap Dispenser - 300ml
 Functions : To store liquid soap/shampoo
 Material : ABS Mechanism, ABS Bottle
 Installation Type : Kitchen Sink/ Bathroom Basin
 Application Place : Bathroom, Kitchen, Outdoor and Etc