

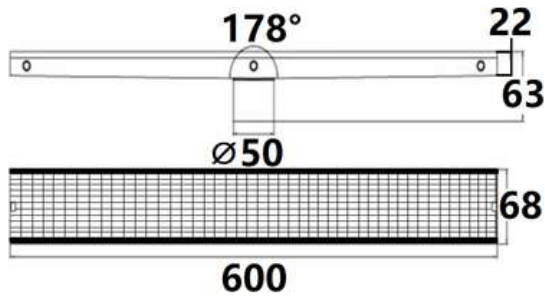
A central image showing a square floor trap cover set into a dark, textured floor. The cover is surrounded by a white border. The surface of the cover is covered with numerous water droplets of various sizes, some of which are larger and more prominent, suggesting a wet or waterproof surface. The background of the image is a dark grey or black, with a blue and white geometric pattern on the left and right sides.

FLOOR TRAPS & DRAINS

CATALOG

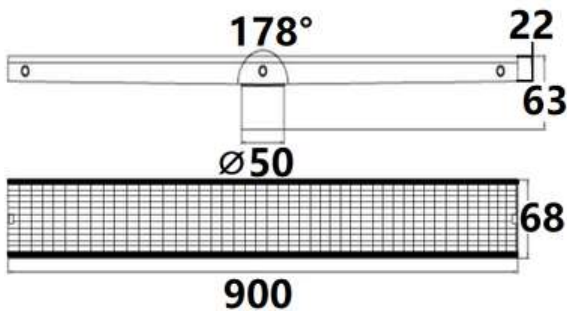
LONG FLOOR DRAINS SERIES

S'-SLOTTED TYPE (SUITABLE FOR OUTDOOR)



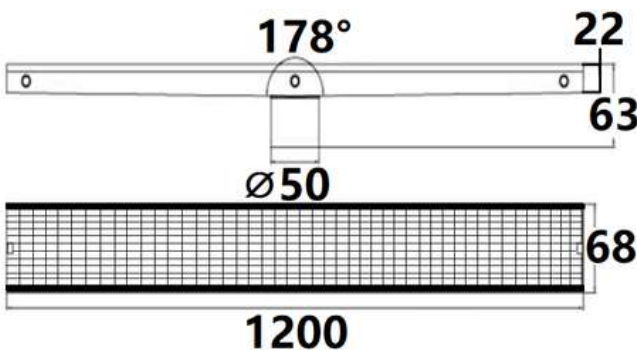
FT600X65S-A

Products Name : Long Floor Drains For Direct Discharge
 Finishing : Nickel Brushed
 Material : Stainless Steel 304
 Thickness : Cover - 1.4mm, Base - 1.2mm
 Dimension : Length 600mm x Width 68mm
 Outlet Diameter : $\varnothing 50$
 Installation Type : On the Floor
 Functions : 178°/180° on the centre base for water flow.
 Advantages : Polished edges
 Advantages : Anti-corrosion and anti-rust
 Advantages : Modern design, easy to clean
 Application Place : Shower Area, Kitchen Area, Laundry Area and Etc



FT900X65S-A

Products Name : Long Floor Drains For Direct Discharge
 Finishing : Nickel Brushed
 Material : Stainless Steel 304
 Thickness : Cover - 1.4mm, Base - 1.2mm
 Dimension : Length 900mm x Width 68mm
 Outlet Diameter : $\varnothing 50$
 Installation Type : On the Floor
 Functions : 178°/180° on the centre base for water flow.
 Advantages : Polished edges
 Advantages : Anti-corrosion and anti-rust
 Advantages : Modern design, easy to clean
 Application Place : Shower Area, Kitchen Area, Laundry Area and Etc



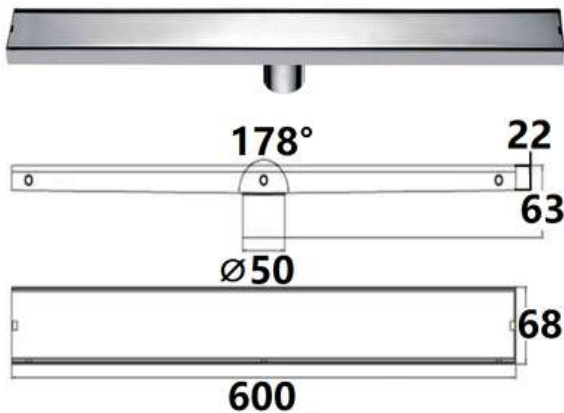
FT1200X65S-A

Products Name : Long Floor Drains For Direct Discharge
 Finishing : Nickel Brushed
 Material : Stainless Steel 304
 Thickness : Cover - 1.4mm, Base - 1.2mm
 Dimension : Length 1200mm x Width 68mm
 Outlet Diameter : $\varnothing 50$
 Installation Type : On the Floor
 Functions : 178°/180° on the centre base for water flow
 Advantages : Polished edges
 Advantages : Anti-corrosion and anti-rust
 Advantages : Modern design, easy to clean
 Application Place : Shower Area, Kitchen Area, Laundry Area and Etc

**OTHER LENGTH: 700, 800, 1000MM
 (BY REQUEST ONLY)**

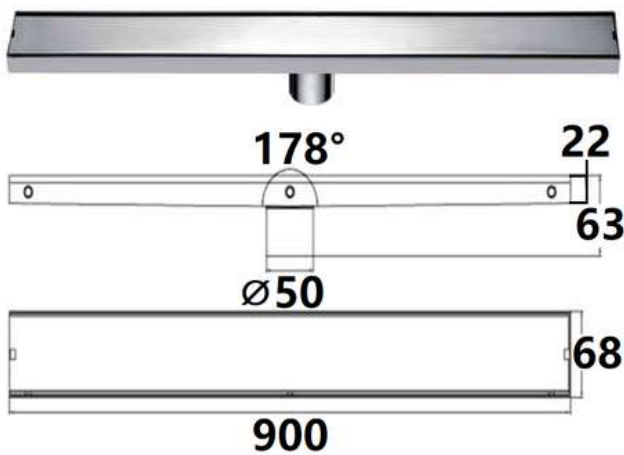
LONG FLOOR DRAINS SERIES

T-TRAY TYPE (SUITABLE FOR OUTDOOR)



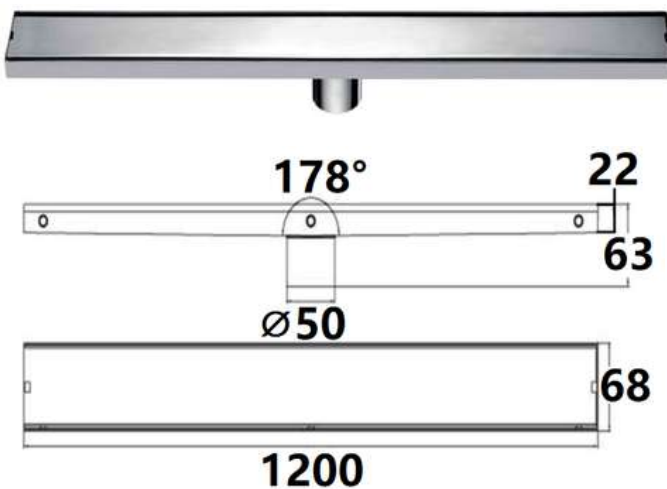
FT600X65T-A

Products Name : Long Floor Drains For Direct Discharge
 Finishing : Nickel Brushed
 Material : Stainless Steel 304
 Thickness : Cover - 1.4mm, Base - 1.2mm
 Dimension : Length 600mm x Width 68mm
 Outlet Diameter : $\varnothing 50$
 Installation Type : On the Floor
 Functions : 178°/180° on the centre base for water flow
 Advantages : Polished edges
 Advantages : Anti-corrosion and anti-rust
 Advantages : Can insert tiles to look modern, elegant, luxury
 Application Place : Shower Area, Kitchen Area, Laundry Area and Etc



FT900X65T-A

Products Name : Long Floor Drains For Direct Discharge
 Finishing : Nickel Brushed
 Material : Stainless Steel 304
 Thickness : Cover - 1.4mm, Base - 1.2mm
 Dimension : Length 900mm x Width 68mm
 Outlet Diameter : $\varnothing 50$
 Installation Type : On the Floor
 Functions : 178°/180° on the centre base for water flow
 Advantages : Polished edges
 Advantages : Anti-corrosion and anti-rust
 Advantages : Can insert tiles to look modern, elegant, luxury
 Application Place : Shower Area, Kitchen Area, Laundry Area and Etc



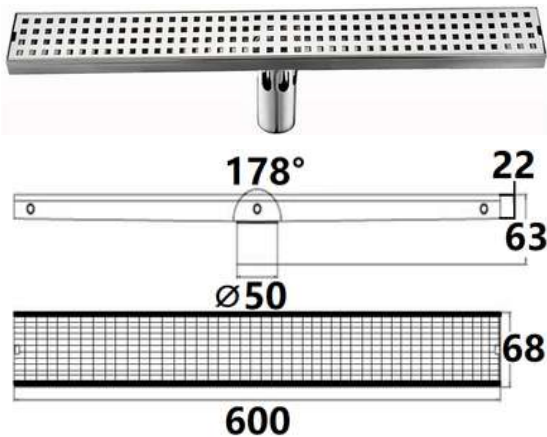
FT1200X65T-A

Products Name : Long Floor Drains For Direct Discharge
 Finishing : Nickel Brushed
 Material : Stainless Steel 304
 Thickness : Cover - 1.4mm, Base - 1.2mm
 Dimension : Length 1200mm x Width 68mm
 Outlet Diameter : $\varnothing 50$
 Installation Type : On the Floor
 Functions : 178°/180° on the centre base for water flow
 Advantages : Polished edges
 Advantages : Anti-corrosion and anti-rust
 Advantages : Can insert tiles to look modern, elegant, luxury
 Application Place : Shower Area, Kitchen Area, Laundry Area and Etc

OTHER LENGTH: 700, 800, 1000MM
(BY REQUEST ONLY)

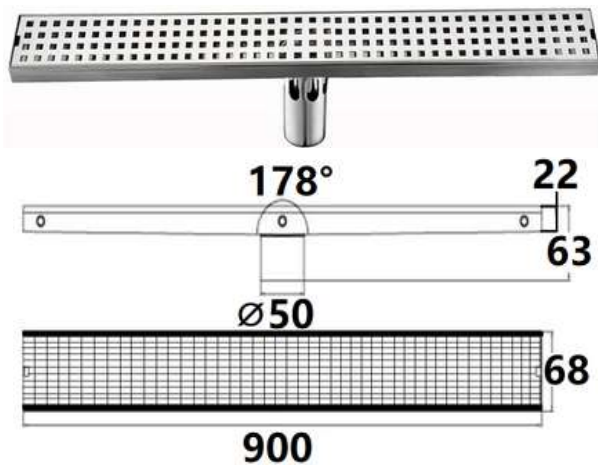
LONG FLOOR DRAINS SERIES

S'-SLOTTED TYPE (SUITABLE FOR INDOOR)



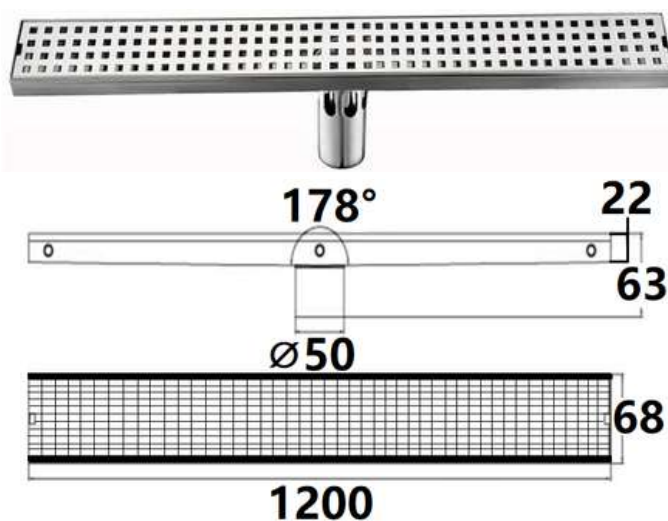
FT600X65S-B

Products Name : Long Floor Drains For Anti Insect and Anti Odour
 Finishing : Nickel Brushed
 Material : Stainless Steel 304
 Thickness : Cover - 1.4mm, Base - 1.2mm
 Dimension : Length 600mm x Width 68mm
 Outlet Diameter : $\varnothing 50$
 Installation Type : On the Floor
 Functions : 178°/180° on the centre base for water flow.
 Advantages : Polished edges
 Advantages : Anti-corrosion and anti-rust
 Advantages : Humanized design, easy to clean
 Application Place : Shower Area, Kitchen Area, Laundry Area and Etc



FT900X65S-B

Products Name : Long Floor Drains For Anti Insect and Anti Odour
 Finishing : Nickel Brushed
 Material : Stainless Steel 304
 Thickness : Cover - 1.4mm, Base - 1.2mm
 Dimension : Length 900mm x Width 68mm
 Outlet Diameter : $\varnothing 50$
 Installation Type : On the Floor
 Functions : 178°/180° on the centre base for water flow.
 Advantages : Polished edges
 Advantages : Anti-corrosion and anti-rust
 Advantages : Humanized design, easy to clean
 Application Place : Shower Area, Kitchen Area, Laundry Area and Etc



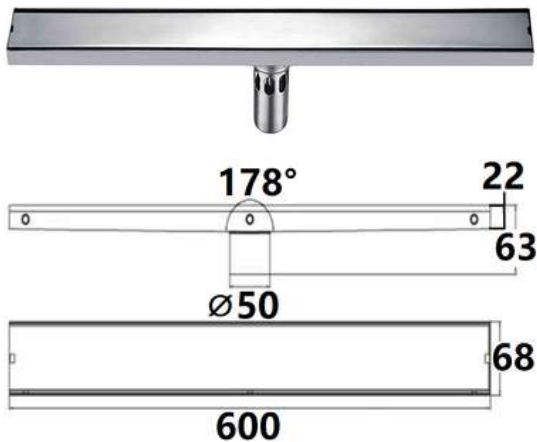
FT1200X65S-B

Products Name : Long Floor Drains For Anti Insect and Anti Odour
 Finishing : Nickel Brushed
 Material : Stainless Steel 304
 Thickness : Cover - 1.4mm, Base - 1.2mm
 Dimension : Length 1200mm x Width 68mm
 Outlet Diameter : $\varnothing 50$
 Installation Type : On the Floor
 Functions : 178°/180° on the centre base for water flow.
 Advantages : Polished edges
 Advantages : Anti-corrosion and anti-rust
 Advantages : Humanized design, easy to clean
 Application Place : Shower Area, Kitchen Area, Laundry Area and Etc

**OTHER LENGTH: 700, 800, 1000MM
 (BY REQUEST ONLY)**

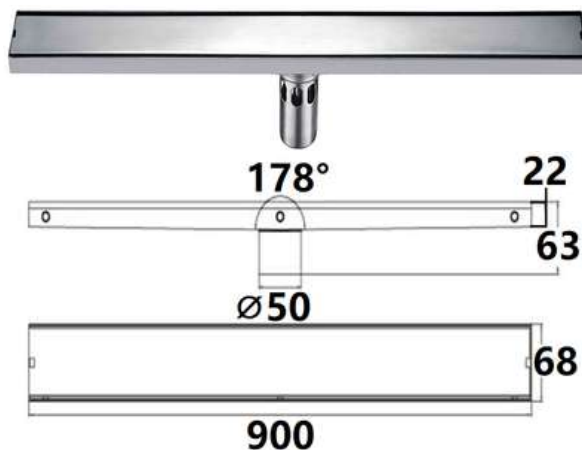
LONG FLOOR DRAINS SERIES

T-TRAY TYPE (SUITABLE FOR INDOOR)



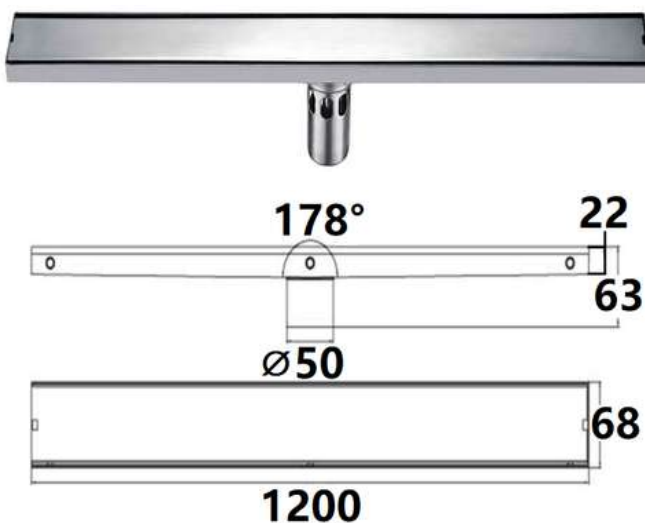
FT600X65T-B

Products Name : Long Floor Drains For Anti Insect and Anti Odour
 Finishing : Nickel Brushed
 Material : Stainless Steel 304
 Thickness : Cover - 1.4mm, Base - 1.2mm
 Dimension : Length 600mm x Width 68mm
 Outlet Diameter : $\varnothing 50$
 Installation Type : On the Floor
 Functions : $178^\circ/180^\circ$ on the centre base for water flow.
 Advantages : Polished Edges
 Advantages : Anti-corrosion and anti-rust
 Advantages : Can insert tiles to look modern, elegant, luxury
 Application Place : Shower Area, Kitchen Area, Laundry Area and Etc



FT900X65T-B

Products Name : Long Floor Drains For Anti Insect and Anti Odour
 Finishing : Nickel Brushed
 Material : Stainless Steel 304
 Thickness : Cover - 1.4mm, Base - 1.2mm
 Dimension : Length 900mm x Width 68mm
 Outlet Diameter : $\varnothing 50$
 Installation Type : On the Floor
 Functions : $178^\circ/180^\circ$ on the centre base for water flow.
 Advantages : Polished Edges
 Advantages : Anti-corrosion and anti-rust
 Advantages : Can insert tiles to look modern, elegant, luxury
 Application Place : Shower Area, Kitchen Area, Laundry Area and Etc

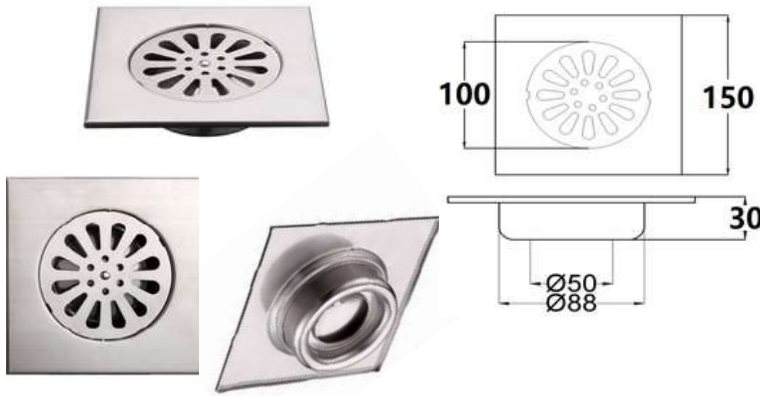


FT1200X65T-B

Products Name : Long Floor Drains For Anti Insect and Anti Odour
 Finishing : Nickel Brushed
 Material : Stainless Steel 304
 Thickness : Cover - 1.4mm, Base - 1.2mm
 Dimension : Length 1200mm x Width 68mm
 Outlet Diameter : $\varnothing 50$
 Installation Type : On the Floor
 Functions : $178^\circ/180^\circ$ on the centre base for water flow.
 Advantages : Polished Edges
 Advantages : Anti-corrosion and anti-rust
 Advantages : Can insert tiles to look modern, elegant, luxury
 Application Place : Shower Area, Kitchen Area, Laundry Area and Etc

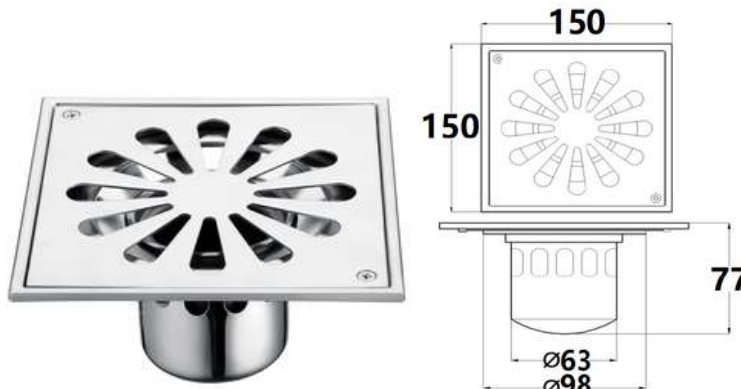
**OTHER LENGTH: 700, 800, 1000MM
 (BY REQUEST ONLY)**

FLOOR TRAP-150mm SERIES



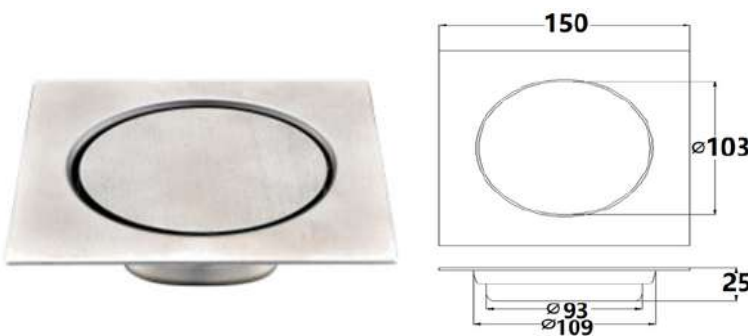
FT101-150

Products Name : Floor Grating
 Material : Stainless Steel 304
 Finishing : Matt Finished
 Thickness : 1mm
 Functions : Anti Insect and Anti Odour
 Dimension : Length 150mm x Width 150mm
 Installation Type : On the Floor
 Application Place : Shower Area, Kitchen Area,
 Laundry Area and Etc
 Advantages : - Anti-corrosion and anti-rust
 - Polished Edges



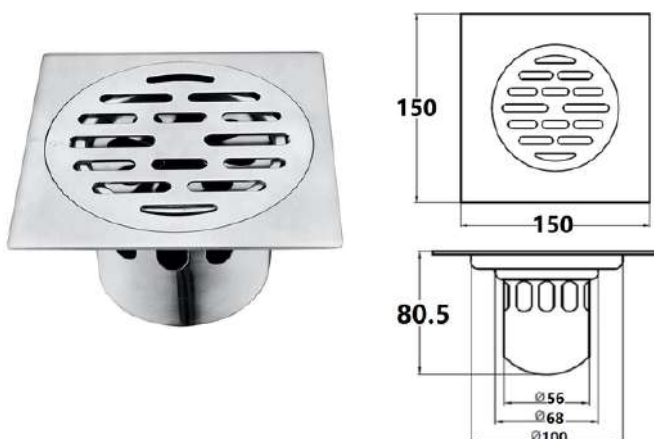
FT133-150

Products Name : Floor Grating - Anti Vandal
 Material : Stainless Steel 304
 Finishing : Polish Finished
 Thickness : 1mm
 Functions : Anti Insect and Anti Odour
 Dimension : Length 150mm x Width 150mm
 Installation Type : On the Floor
 Application Place : Shower Area, Kitchen Area,
 Laundry Area and Etc
 Advantages : - Anti-corrosion and anti-rust
 - Polished Edges
 Optional : Allen Key Screw / Torx Screw



FT113-150

Products Name : Floor Grating
 Material : Stainless Steel 304
 Finishing : Matt Finished
 Thickness : 2mm
 Functions : Anti Insect and Anti Odour
 Dimension : Length 150mm x Width 150mm
 Installation Type : On the Floor
 Application Place : Shower Area, Kitchen Area,
 Laundry Area and Etc
 Advantages : - Anti-corrosion and anti-rust
 - Polished Edges

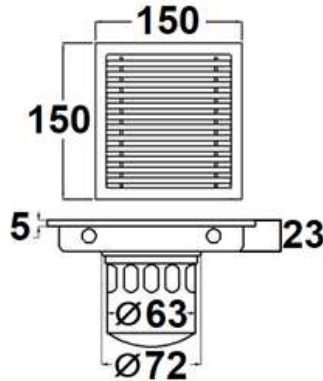


FT120-150

Products Name : Floor Grating
 Material : Stainless Steel 304
 Finishing : Matt Finished
 Thickness : 2mm
 Functions : Anti Insect and Anti Odour
 Dimension : Length 150mm x Width 150mm
 Installation Type : On the Floor
 Application Place : Shower Area, Kitchen Area,
 Laundry Area and Etc
 Advantages : - Anti-corrosion and anti-rust
 - Polished Edges

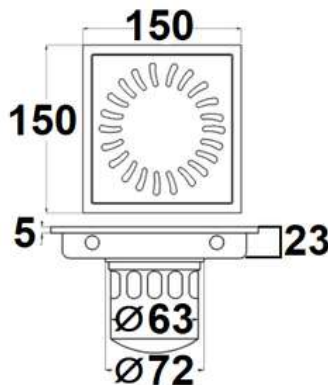
FLOOR TRAP - 150mm SERIES

MATT FINISHED



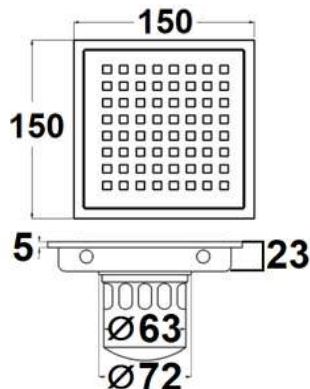
FT152-150

Products Name : Floor Grating
 Material : Stainless Steel 304
 Thickness : 1mm
 Functions : Anti Insect and Anti Odour
 Dimension : Length 150mm x Width 150mm
 Installation Type : On the Floor
 Application Place : Shower Area, Kitchen Area, Laundry Area and Etc
 Advantages : - Anti-corrosion and anti-rust
 - Polished Edges



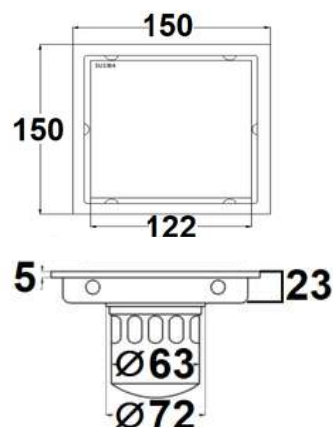
FT153-150

Products Name : Floor Grating
 Material : Stainless Steel 304
 Thickness : 1mm
 Functions : Anti Insect and Anti Odour
 Dimension : Length 150mm x Width 150mm
 Installation Type : On the Floor
 Application Place : Shower Area, Kitchen Area, Laundry Area and Etc
 Advantages : - Anti-corrosion and anti-rust
 - Polished Edges



FT154-150

Products Name : Floor Grating
 Material : Stainless Steel 304
 Thickness : 1mm
 Functions : Anti Insect and Anti Odour
 Dimension : Length 150mm x Width 150mm
 Installation Type : On the Floor
 Application Place : Shower Area, Kitchen Area, Laundry Area and Etc
 Advantages : - Anti-corrosion and anti-rust
 - Polished Edges

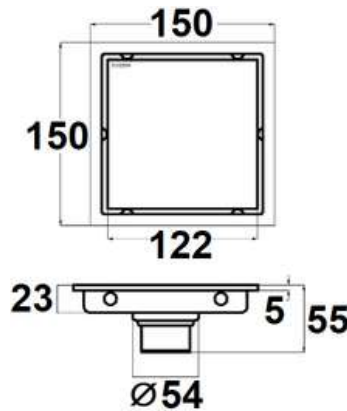


FT155-150

Products Name : Floor Grating
 Material : Stainless Steel 304
 Thickness : 1mm
 Functions : Anti Insect and Anti Odour
 Dimension : Length 150mm x Width 150mm
 Installation Type : On the Floor
 Application Place : Shower Area, Kitchen Area, Laundry Area and Etc
 Advantages : - Anti-corrosion and anti-rust
 - Polished Edges
 - Can insert tiles to look modern, elegant, luxury

FLOOR TRAP - 150mm SERIES

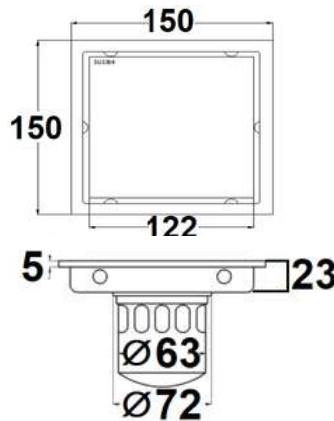
MATT FINISHED



FT166-150

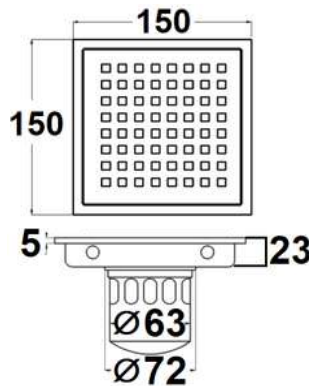
Products Name : Floor Grating
 Material : Stainless Steel 304
 Thickness : 1mm
 Functions : Anti Insect, Anti Odour & Anti Backflow
 Dimension : Length 150mm x Width 150mm
 Installation Type : On the Floor
 Application Place : Shower Area, Kitchen Area, Laundry Area and Etc
 Advantages : - Anti-corrosion and anti-rust
 - Polished Edges
 - Can insert tiles to look modern, elegant, luxury.

Additional Info: https://www.youtube.com/watch?v=hC5yGWBR5A8&ab_channel=Onimitalia



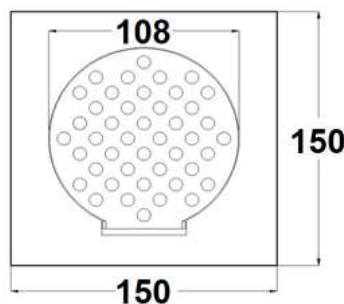
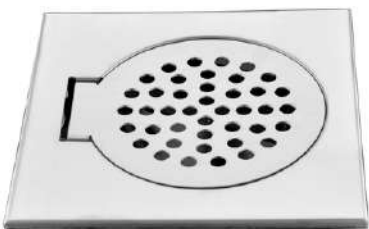
FT155-150-BL

Products Name : Floor Grating
 Finishing : Black Coating
 Material : Stainless Steel 304
 Thickness : 1mm
 Functions : Anti Insect and Anti Odour
 Dimension : Length 150mm x Width 150mm
 Installation Type : On the Floor
 Application Place : Shower Area, Kitchen Area, Laundry Area and Etc
 Advantages : - Anti-corrosion and anti-rust
 - Polished Edges
 - Can insert tiles to look modern, elegant, luxury



FT154-150-BL

Products Name : Floor Grating
 Finishing : Black Coating
 Material : Stainless Steel 304
 Thickness : 1mm
 Functions : Anti Insect and Anti Odour
 Dimension : Length 150mm x Width 150mm
 Installation Type : On the Floor
 Application Place : Shower Area, Kitchen Area, Laundry Area and Etc
 Advantages : - Anti-corrosion and anti-rust
 - Polished Edges

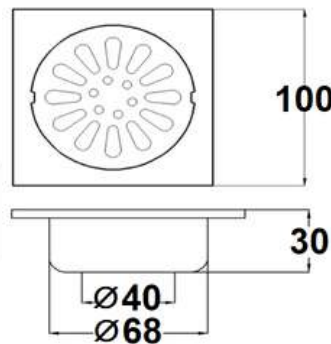


FT122-150

Products Name : Floor Grating
 Material : Stainless Steel 304
 Thickness : 1mm
 Functions : No
 Dimension : Length 150mm x Width 150mm
 Installation Type : On the Floor
 Application Place : Shower Area, Kitchen Area, Laundry Area and Etc
 Advantages : - Anti-corrosion and anti-rust
 - Polished Edges

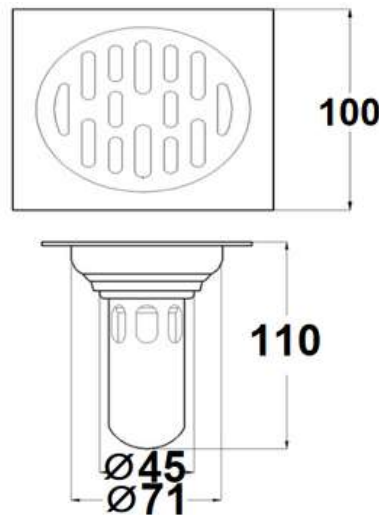
FLOOR TRAP - 110/100mm SERIES

MATT FINISHED



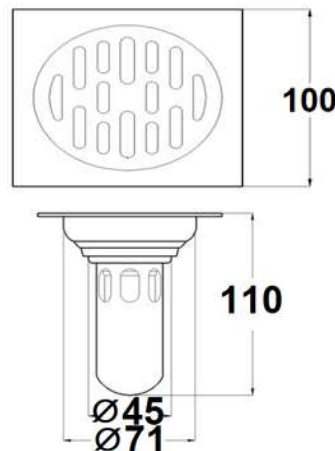
FT101-100

Products Name : Floor Grating
 Material : Stainless Steel 304
 Thickness : 1mm
 Functions : Anti Insect and Anti Odour
 Dimension : Length 100mm x Width 100mm
 Installation Type : On the Floor
 Application Place : Shower Area, Kitchen Area,
 Laundry Area and Etc
 Advantages : - Anti-corrosion and anti-rust
 - Polished Edges



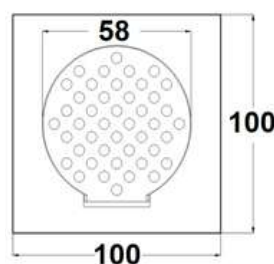
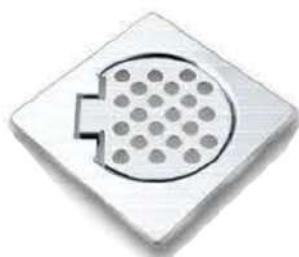
FT120-100

Products Name : Floor Grating
 Material : Stainless Steel 304
 Thickness : 2mm
 Functions : Anti Insect and Anti Odour
 Dimension : Length 100mm x Width 100mm
 Installation Type : On the Floor
 Application Place : Shower Area, Kitchen Area,
 Laundry Area and Etc
 Advantages : - Anti-corrosion and anti-rust
 - Polished Edges



FT125-100

Products Name : Floor Grating for Washing Machine
 Material : Stainless Steel 304
 Thickness : 2mm
 Functions : Anti Insect and Anti Odour
 Functions : Can add on hose inlet cap
 Dimension : Length 100mm x Width 100mm
 Installation Type : On the Floor
 Application Place : Laundry Area and Etc
 Advantages : - Anti-corrosion and anti-rust
 - Polished Edges

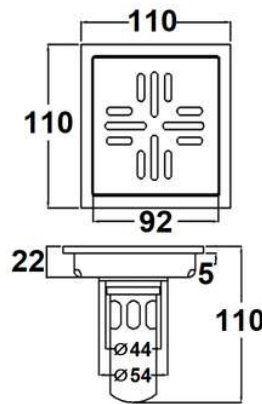


FT122-100

Products Name : Floor Grating
 Material : Stainless Steel 304
 Thickness : 0.6mm
 Functions : No
 Dimension : Length 100mm x Width 100mm
 Installation Type : On the Floor
 Application Place : Shower Area, Kitchen Area,
 Laundry Area and Etc
 Advantages : - Anti-corrosion and anti-rust
 - Polished Edges

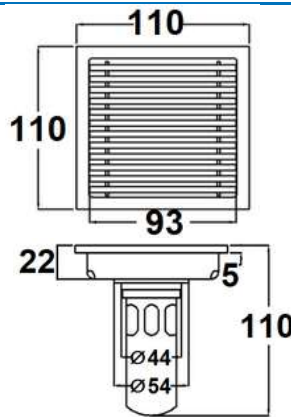
FLOOR TRAP-110/100mm SERIES

MATT FINISHED



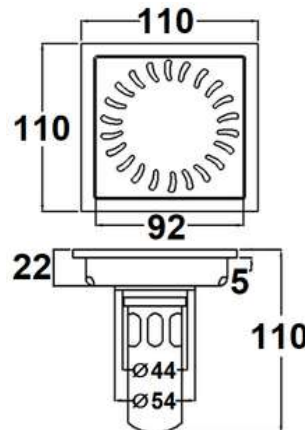
FT151-110

Products Name : Floor Grating
 Material : Stainless Steel 304
 Thickness : 1mm
 Functions : Anti Insect and Anti Odour
 Dimension : Length 110mm x Width 110mm
 Installation Type : On the Floor
 Application Place : Shower Area, Kitchen Area,
 Laundry Area and Etc
 Advantages : - Anti-corrosion and anti-rust
 - Polished Edges



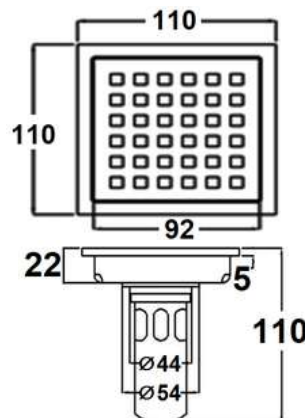
FT152-110

Products Name : Floor Grating
 Material : Stainless Steel 304
 Thickness : 1mm
 Functions : Anti Insect and Anti Odour
 Dimension : Length 110mm x Width 110mm
 Installation Type : On the Floor
 Application Place : Shower Area, Kitchen Area,
 Laundry Area and Etc
 Advantages : - Anti-corrosion and anti-rust
 - Polished Edges



FT153-110

Products Name : Floor Grating
 Material : Stainless Steel 304
 Thickness : 1mm
 Functions : Anti Insect and Anti Odour
 Dimension : Length 110mm x Width 110mm
 Installation Type : On the Floor
 Application Place : Shower Area, Kitchen Area,
 Laundry Area and Etc
 Advantages : - Anti-corrosion and anti-rust
 - Polished Edges

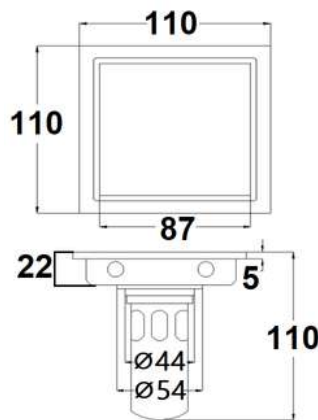


FT154-110

Products Name : Floor Grating
 Material : Stainless Steel 304
 Thickness : 1mm
 Functions : Anti Insect and Anti Odour
 Dimension : Length 110mm x Width 110mm
 Installation Type : On the Floor
 Application Place : Shower Area, Kitchen Area,
 Laundry Area and Etc
 Advantages : - Anti-corrosion and anti-rust
 - Polished Edges

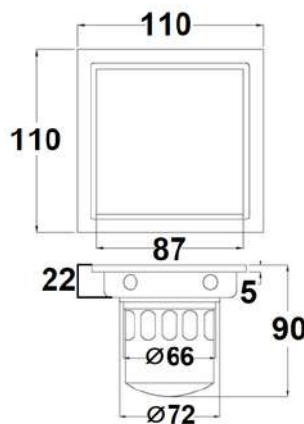
FLOOR TRAP - 110/100mm SERIES

MATT FINISHED



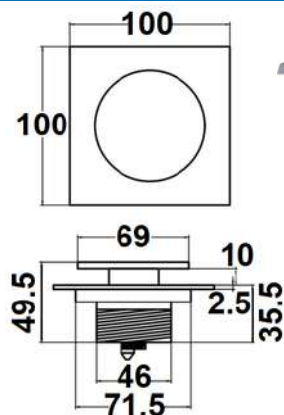
FT155-110

Products Name : Floor Grating - Small Discharge
 Material : Stainless Steel 304
 Thickness : 1mm
 Functions : Anti Insect and Anti Odour
 Dimension : Length 110mm x Width 110mm
 Installation Type : On the Floor
 Application Place : Shower Area, Kitchen Area, Laundry Area and Etc
 Advantages : - Anti-corrosion and anti-rust
 - Polished Edges
 - Can insert tiles to look modern, elegant, luxury



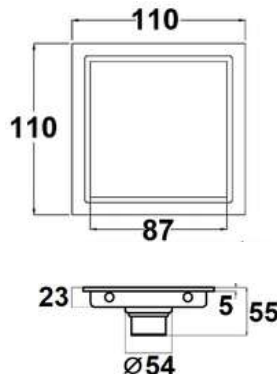
FT155-110-2

Products Name : Floor Grating - Big Discharge
 Material : Stainless Steel 304
 Thickness : 1mm
 Functions : Anti Insect and Anti Odour
 Dimension : Length 110mm x Width 110mm
 Installation Type : On the Floor
 Application Place : Shower Area, Kitchen Area, Laundry Area and Etc
 Advantages : - Anti-corrosion and anti-rust
 - Polished Edges
 - Can insert tiles to look modern, elegant, luxury



NEW PRODUCT FT-B-113-100

Products Name : Floor Grating - Pop Up
 Finishing : Chrome
 Material : Brass
 Thickness : 2.5mm
 Functions : Anti Insect and Anti Odour
 Dimension : Length 100mm x Width 100mm
 Installation Type : On the Floor
 Application Place : Shower Area, Kitchen Area, Laundry Area and Etc
 Advantages : - Anti-corrosion and anti-rust
 - Polished Edges



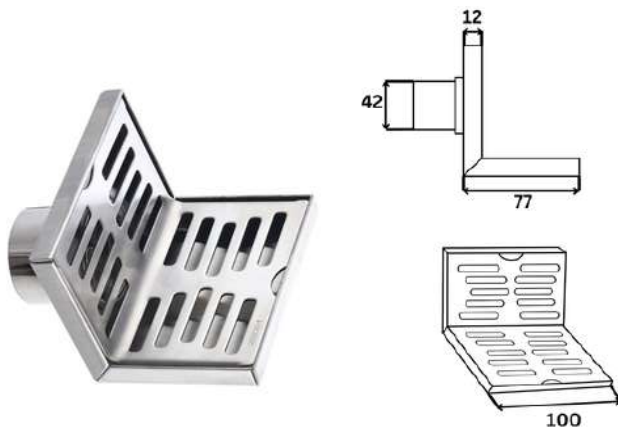
NEW PRODUCT FT166-110

Products Name : Floor Grating
 Material : Stainless Steel 304
 Thickness : 1mm
 Functions : Anti Insect and Anti Odour & Anti Backflow
 Dimension : Length 110mm x Width 110mm
 Installation Type : On the Floor
 Application Place : Shower Area, Kitchen Area, Laundry Area and Etc
 Advantages : - Anti-corrosion and anti-rust
 - Polished Edges
 - Can insert tiles to look modern, elegant, luxury

Additional Info: https://www.youtube.com/watch?v=hC5yGWR5A8&ab_channel=OnimiItalia

FLOOR TRAP-OTHER SIZE SERIES

MATT FINISHED



NEW PRODUCT

FT100-CTW

Products Name : Floor Grating - Wall Outlet
 Material : Stainless Steel 304
 Thickness : 2mm
 Functions : Anti Insect and Anti Odour
 Dimension : Length 100mm x Width 77mm x Height 77mm
 Installation Type : On the Floor
 Application Place : Shower Area, Kitchen Area, Laundry Area, Rooftop and Etc
 Advantages : - Anti-corrosion and anti-rust
 - Polished Edges



NEW PRODUCT

FT154-CT150

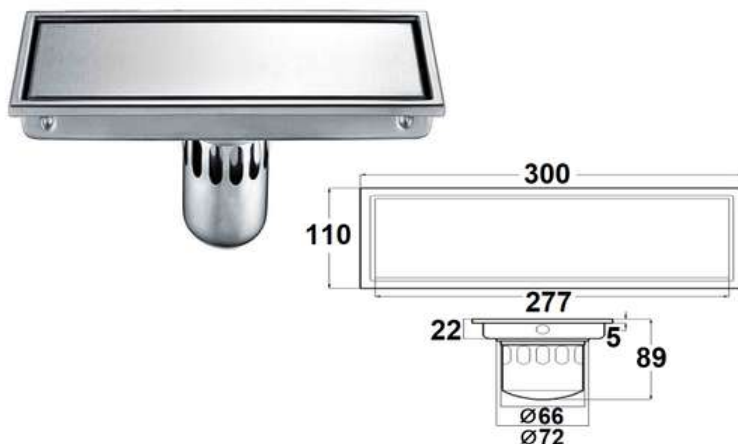
Products Name : Floor Grating - Corner
 Material : Stainless Steel 304
 Thickness : 1mm
 Functions : Anti Insect and Anti Odour
 Dimension : Length 165mm x Width 165mm
 Installation Type : On the Floor
 Application Place : Shower Area, Kitchen Area, Laundry Area and Etc
 Advantages. : - Anti-corrosion and anti-rust
 - Polished Edges



NEW PRODUCT

FT155-CT150

Products Name : Floor Grating - Corner
 Material : Stainless Steel 304
 Thickness : 1mm
 Functions : Anti Insect and Anti Odour
 Dimension : Length 165mm x Width 165mm
 Installation Type : On the Floor
 Application Place : Shower Area, Kitchen Area, Laundry Area and Etc
 Advantages : - Anti-corrosion and anti-rust
 - Polished Edges
 - Can insert tiles to look modern, elegant, luxury



FT155-300X110

Products Name : Floor Grating - Big Discharge
 Material : Stainless Steel 304
 Thickness : 1mm
 Functions : Anti Insect and Anti Odour
 Dimension : Length 300mm x Width 110mm
 Installation Type : On the Floor
 Application Place : Shower Area, Kitchen Area, Laundry Area and Etc
 Advantages : - Anti-corrosion and anti-rust
 - Polished Edges
 - Can insert tiles to look modern, elegant, luxury